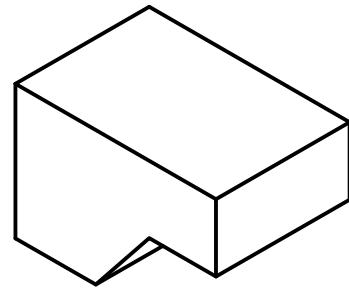
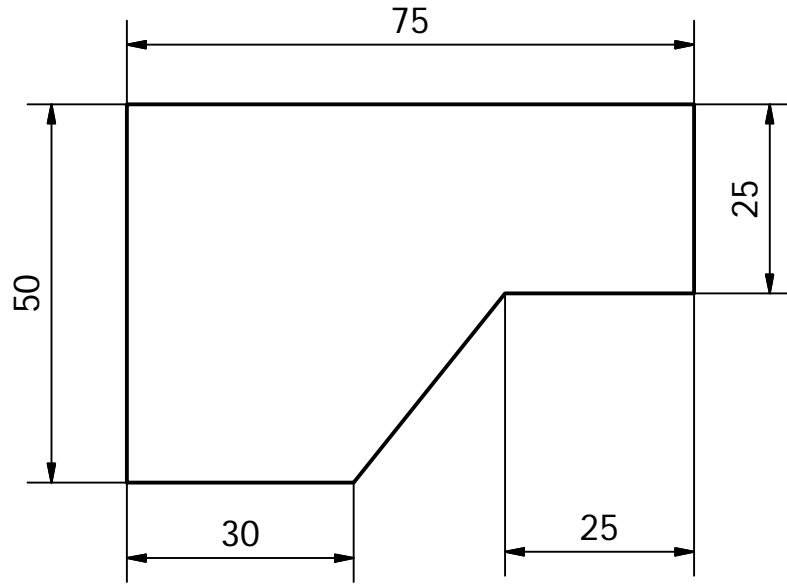
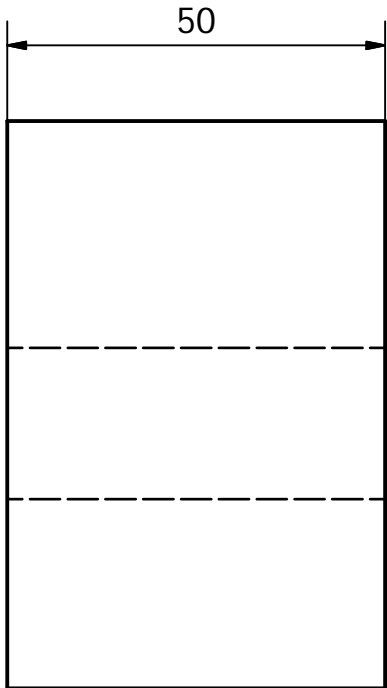
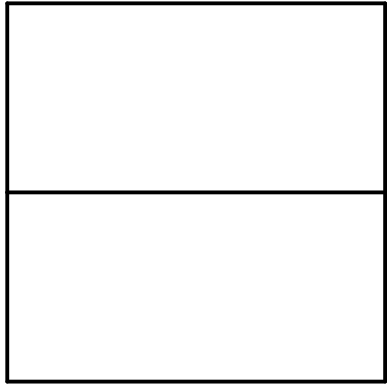
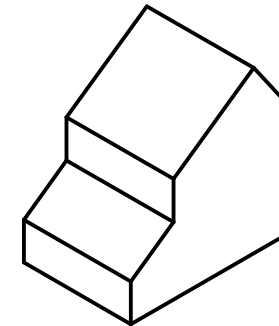
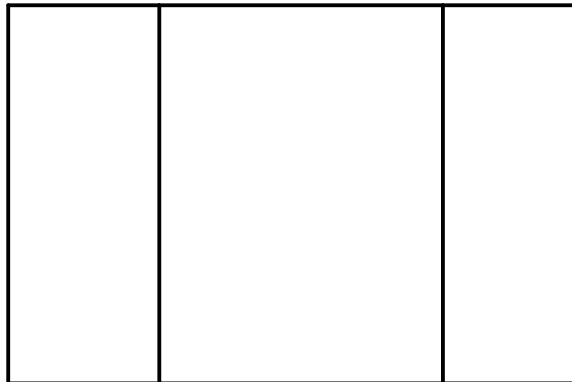
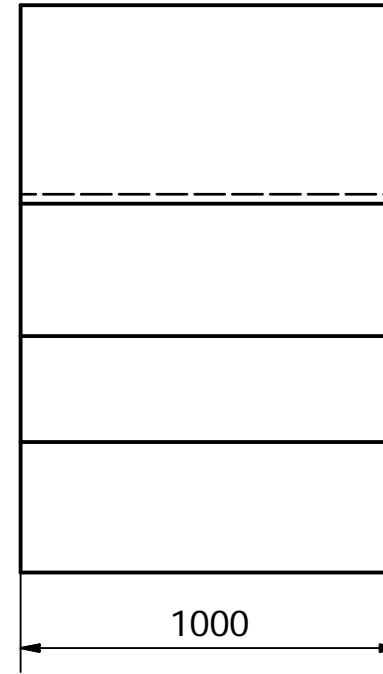
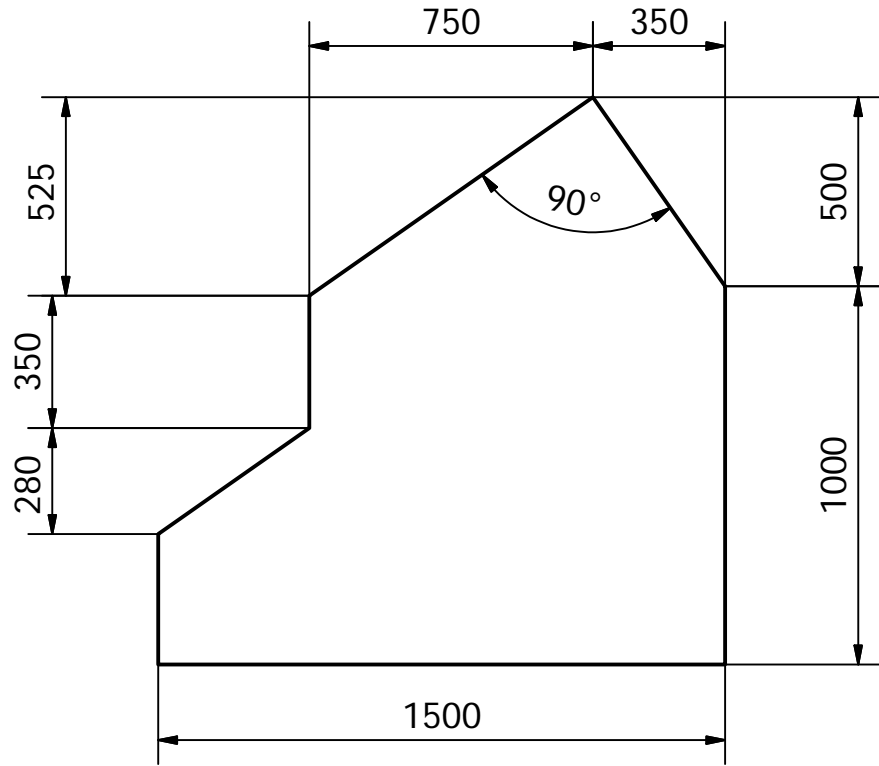


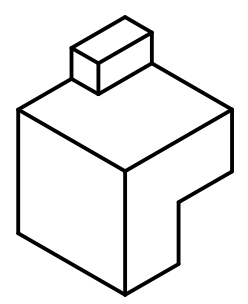
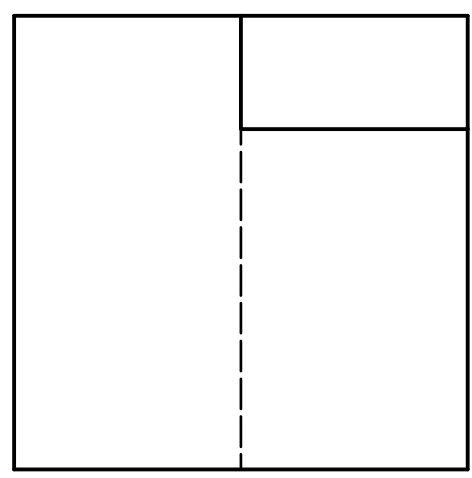
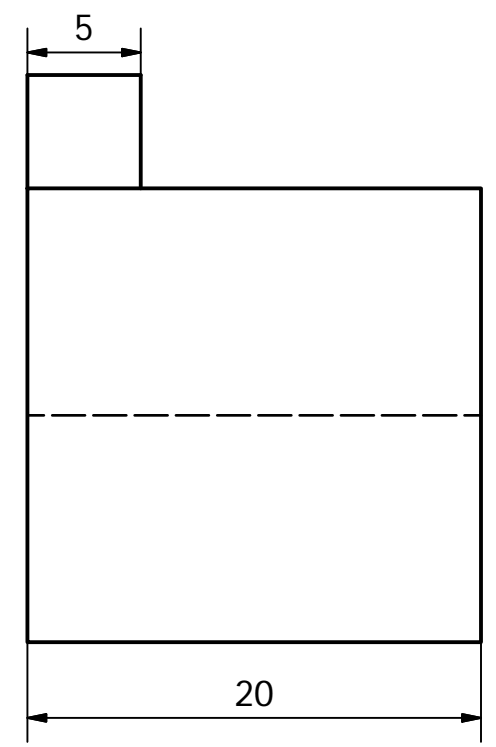
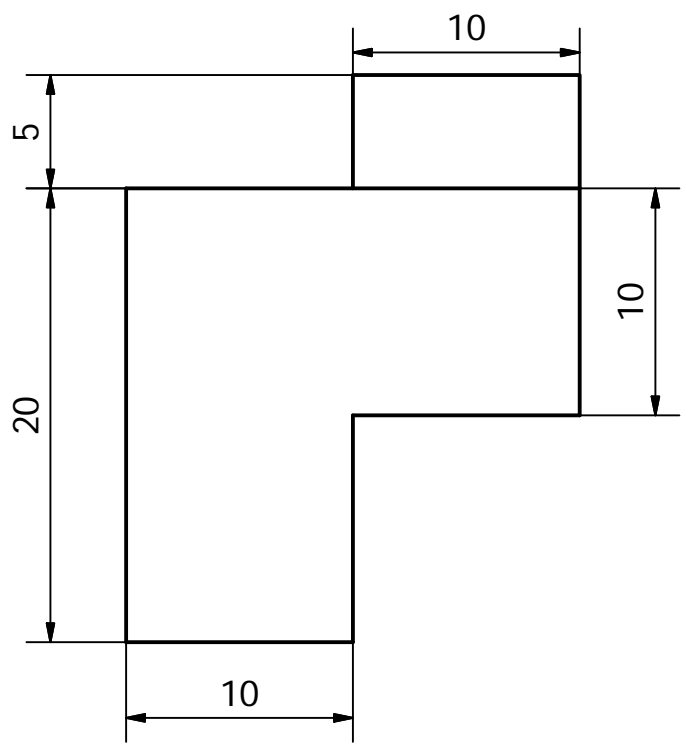
Designed by henrik	Checked by	Approved by	Date	Date 25-08-2015	
			Opgaver	Edition	Opgave 1



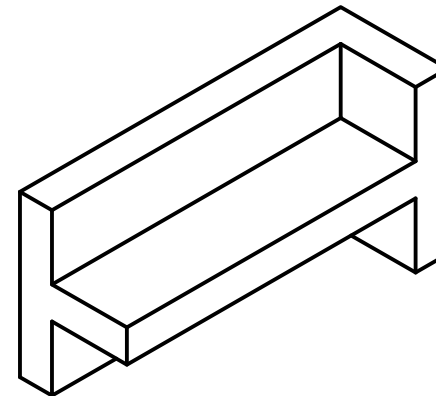
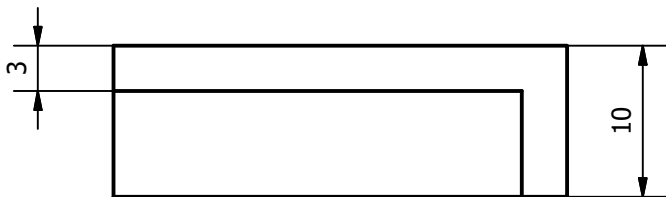
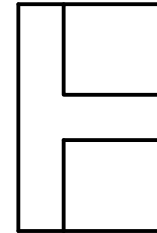
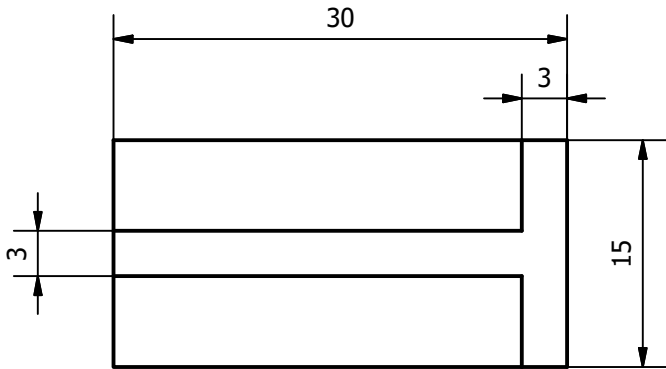
Designed by henrik	Checked by	Approved by	Date	Date	
			25-08-2015		
			Opgaver	Edition	Opgave 2



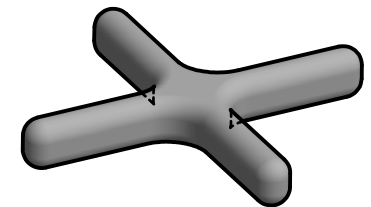
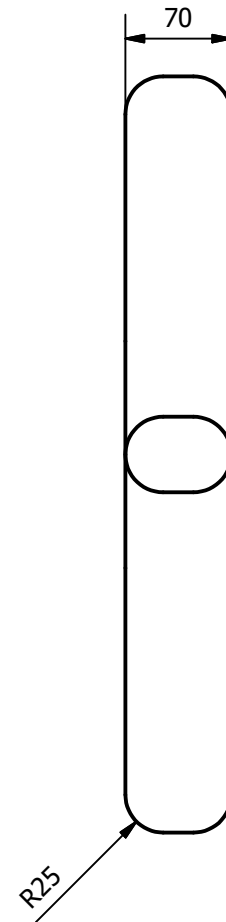
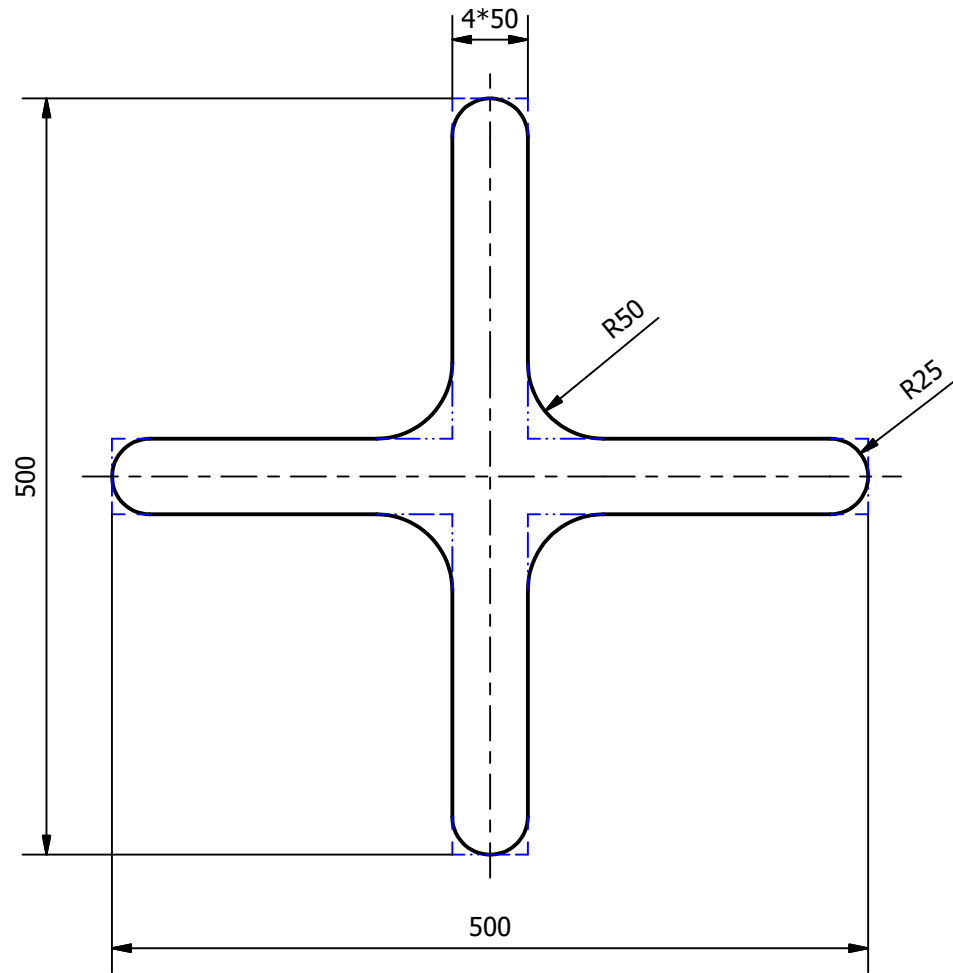
Designed by henrik	Checked by	Approved by	Date	Date 25-08-2015
		Opgaver		
		Edition	Opgave 3	



Designed by	Checked by	Approved by	Date	Date	
henrik				25-08-2015	
			Opgaver	Edition	Opgave 4

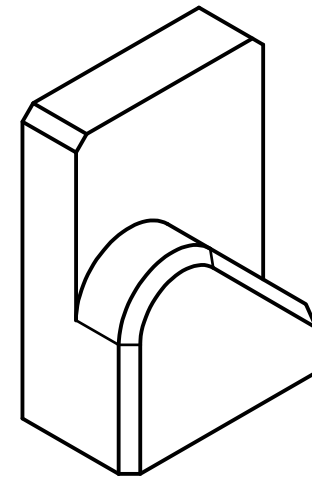
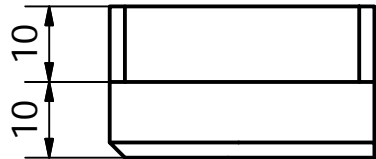
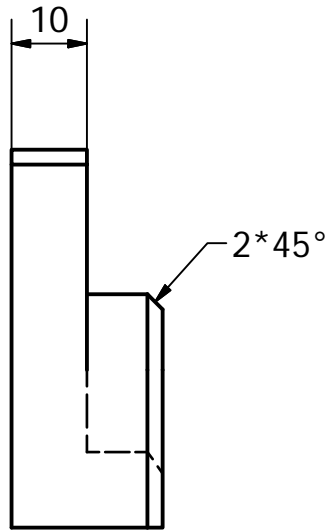
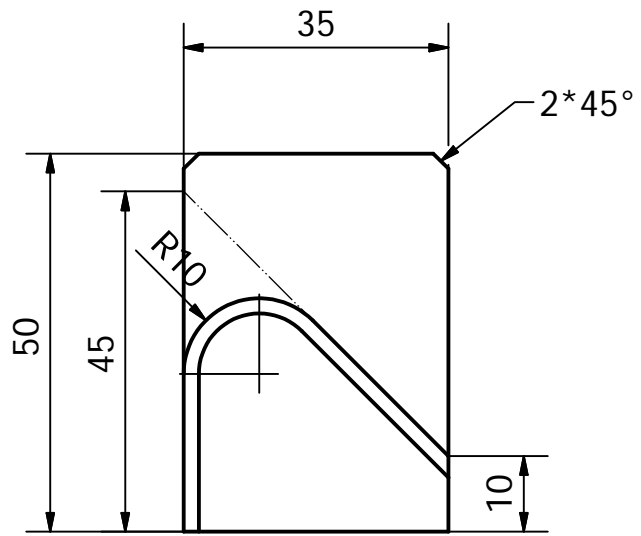


Designed by	Checked by	Approved by	Date	Date	
hed				01-09-2016	
			extrudeøvelse		Edition
					Opgave 5

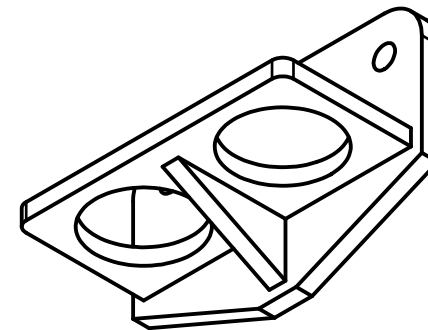
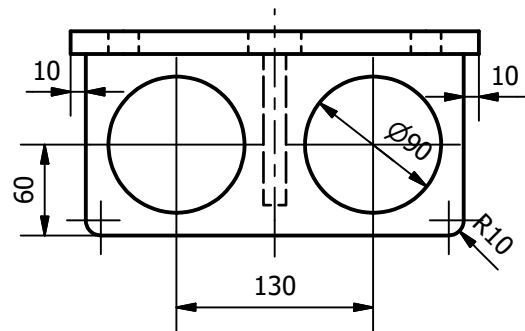
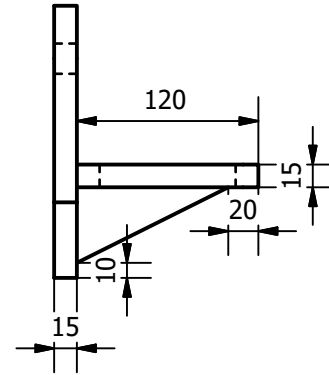
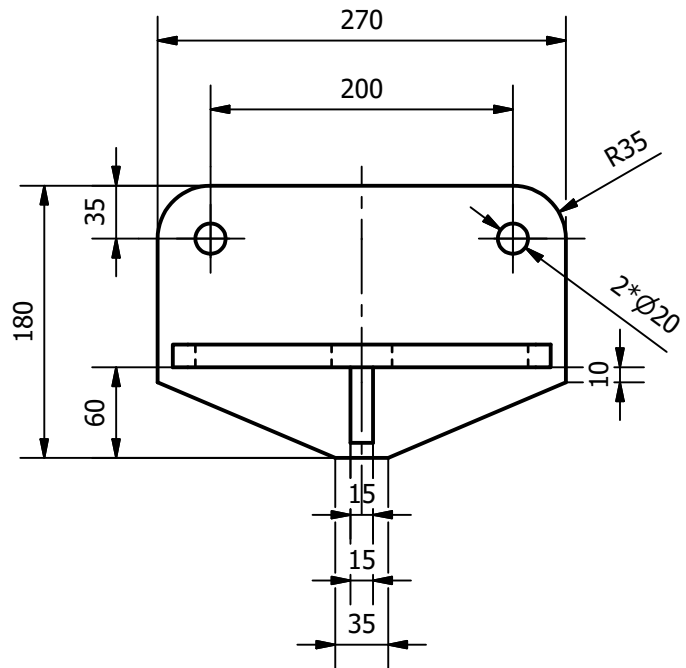


- 1) Start med at tegne den blå-stiplede linje i figuren herover
- 2) Extrude den til 70
- 3) Brug herefter Fillet til at lave rundingerne: Først R50 inde i hjørnerne, derefter R25 udi i "spidserne", og endelig R25 på kanten af fladerne

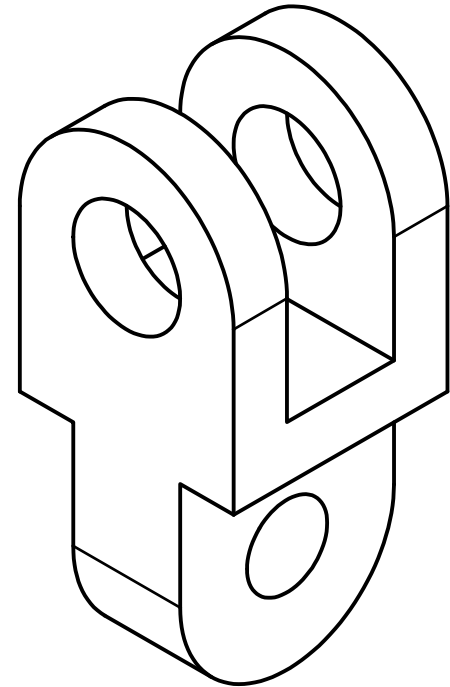
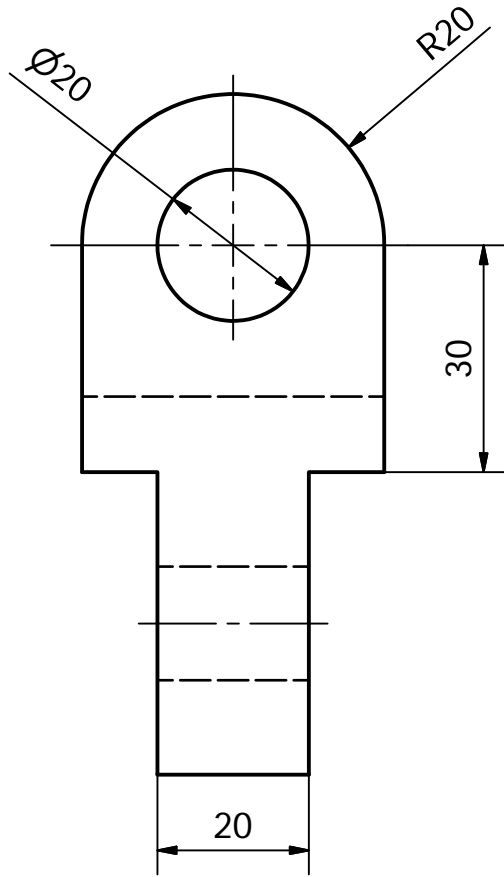
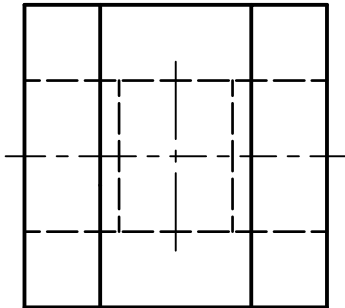
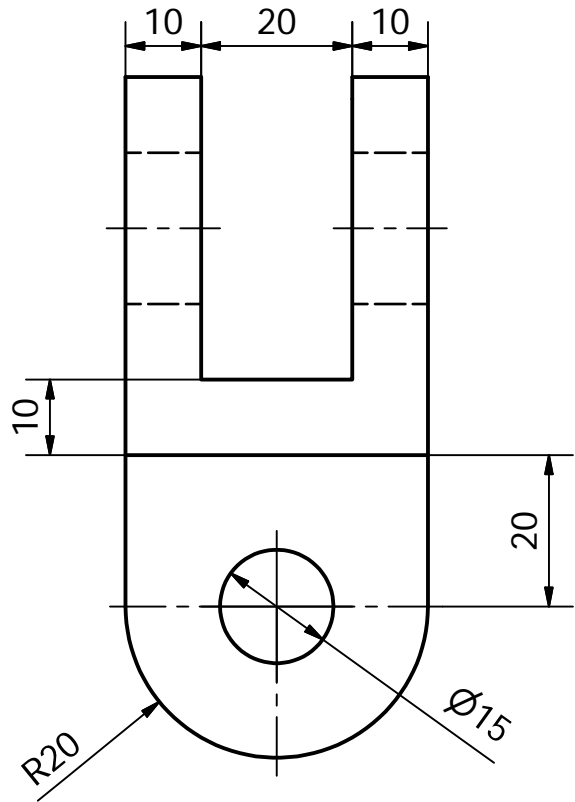
Designed by	Checked by	Approved by	Date	Date	
hed				01-09-2016	
fillet opgave			Edition		Opgave 6



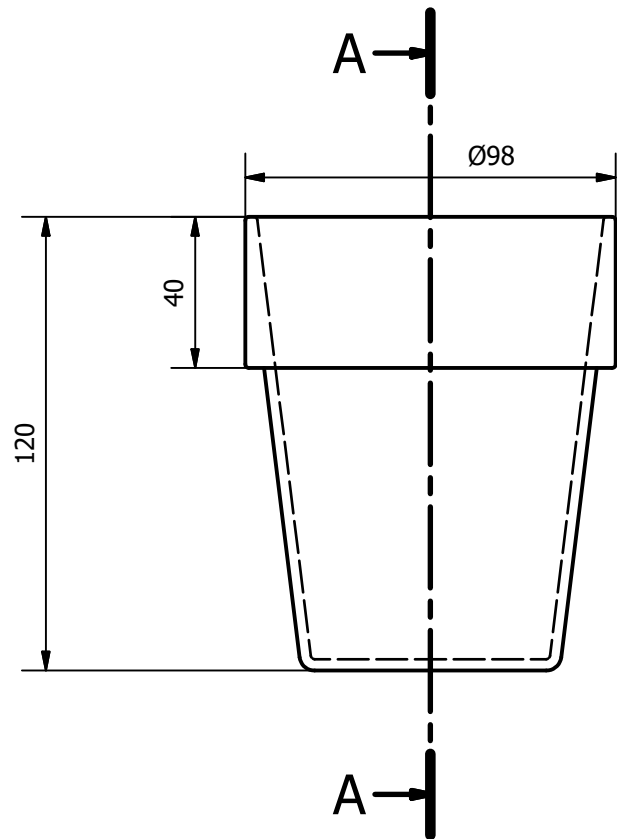
Designed by henrik	Checked by	Approved by	Date	Date 25-08-2015	
			Opgaver	Edition	Opgave 7



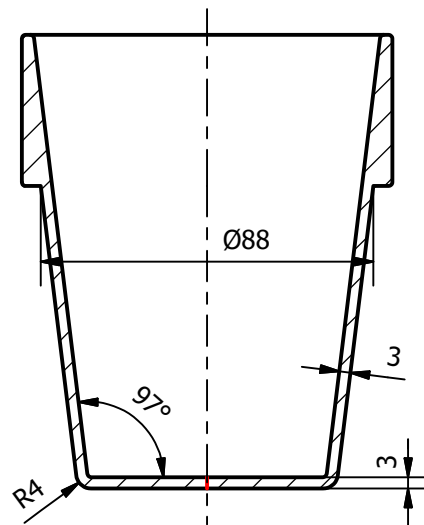
Designed by hed	Checked by	Approved by	Date	Date 01-09-2016	
			extrudeøvelse_2	Edition	Opgave 8



Designed by henrik	Checked by	Approved by	Date	Date 25-08-2015	
			Opgaver		
			Edition		Opgave 9



A-A (1 : 2)

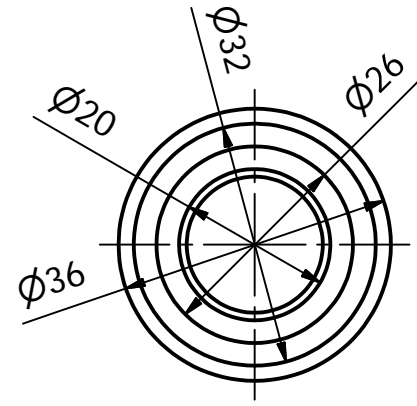
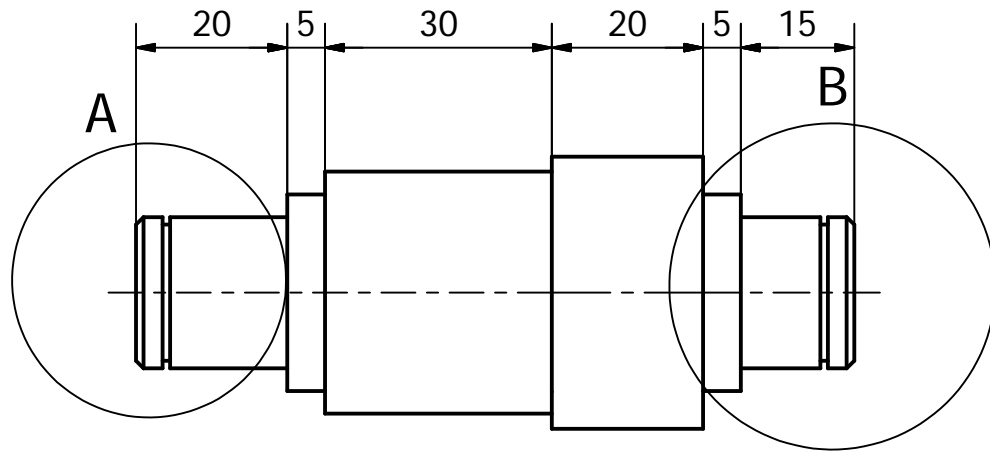


Alle ikke målsatte rundingsradier = R1

Fremgangsmåde:

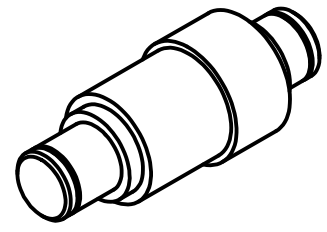
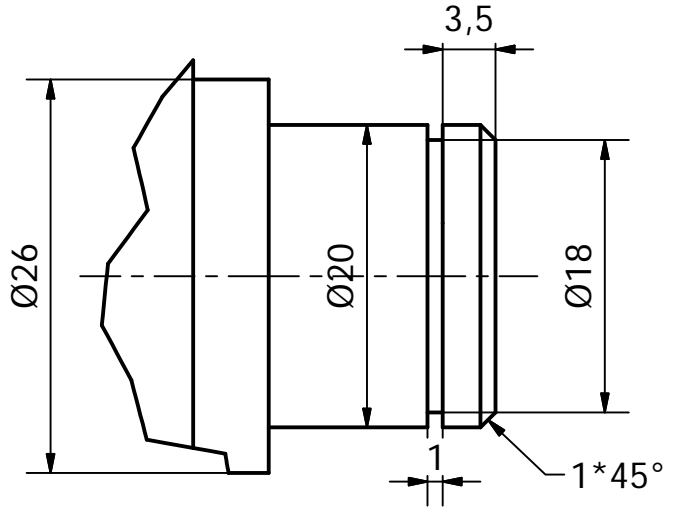
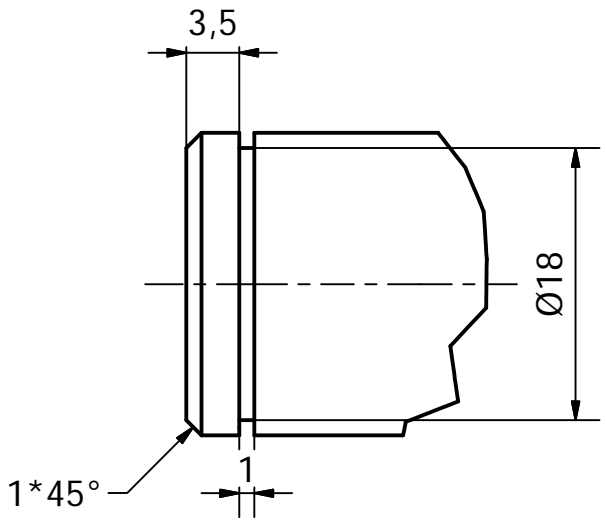
- 1) Tegn venstre halvdel af figuren i snit A-A. Husk at lukke figuren med en lille lodret streg i bunden i centeraksen (vist med rød)
- 2) Brug herefter Revolve til at lave parten. Brug den lille lodrette streg som akse.
- 3) Afslut med at lave rundingerne med Fillet

Designed by hed	Checked by	Approved by	Date	Date 01-09-2016	
			revolutionøvelse1	Edition	Opgave 10

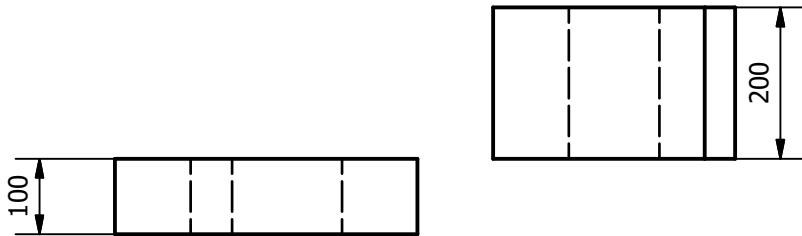
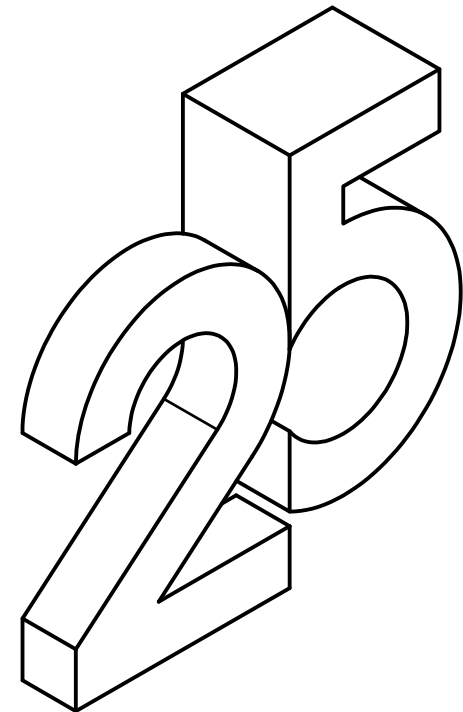
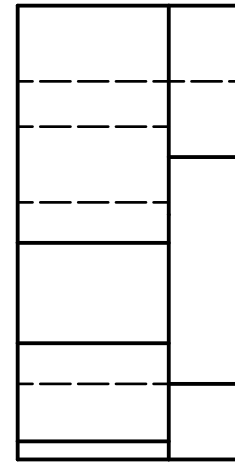
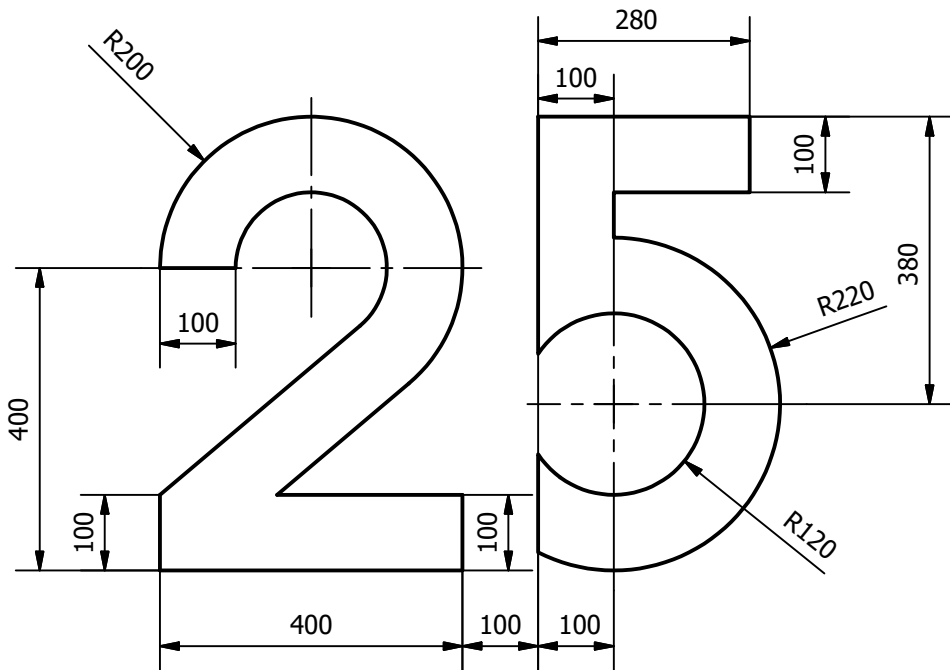


A (2 : 1)

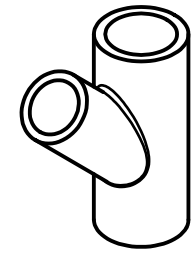
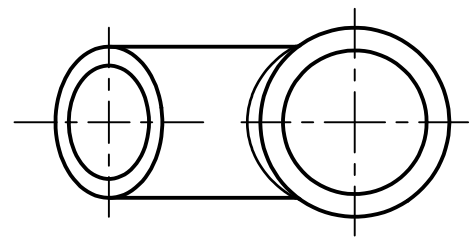
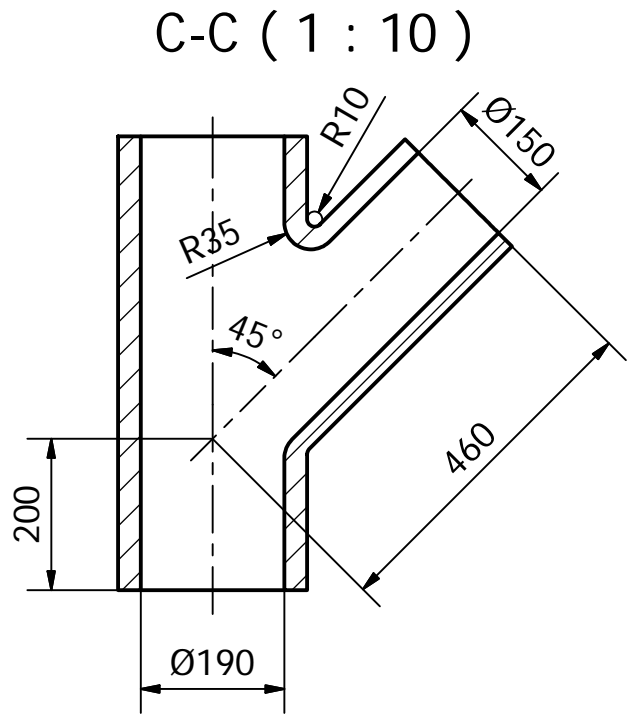
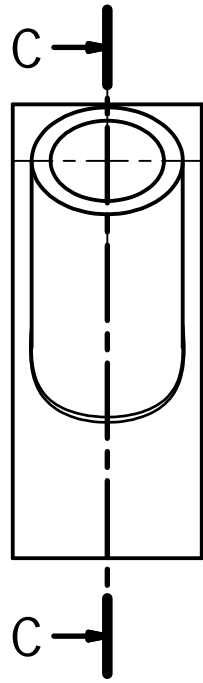
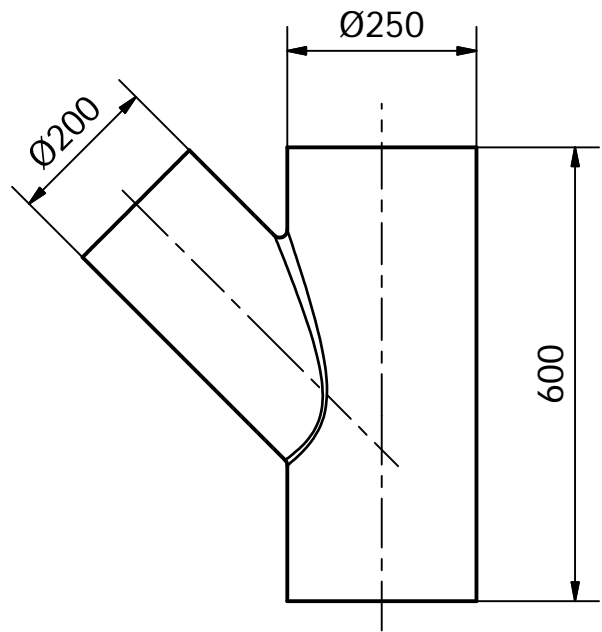
B (2 : 1)



Designed by henrik	Checked by	Approved by	Date	Date 25-08-2015	
			Edition		
			Opgaver		Opgave 11



Designed by henrik	Checked by	Approved by	Date	Date 25-08-2015	
Opgaver			Edition		Opgave 12



Designed by henrik	Checked by	Approved by	Date	Date 25-08-2015	
			Opgaver		
			Edition		Opgave 13