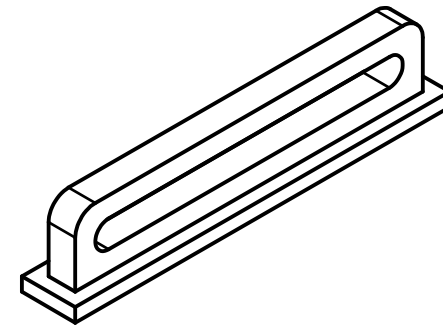
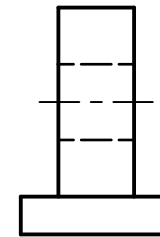
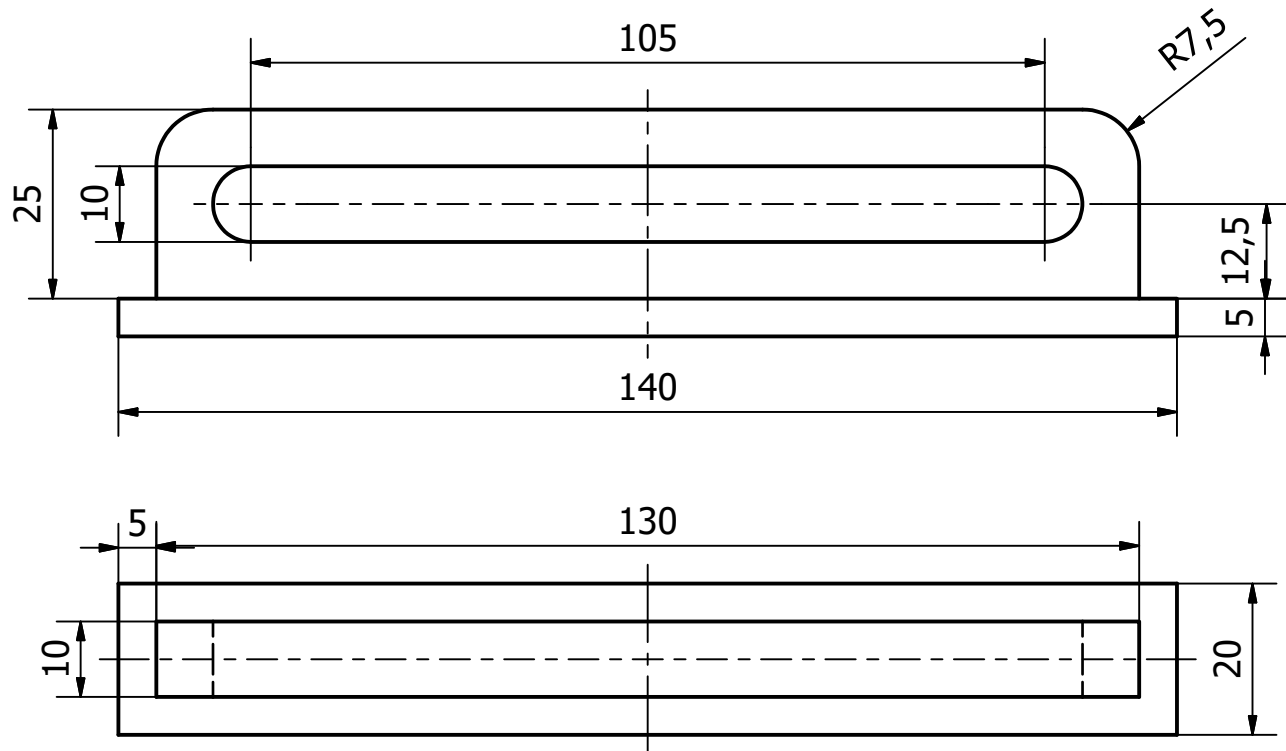
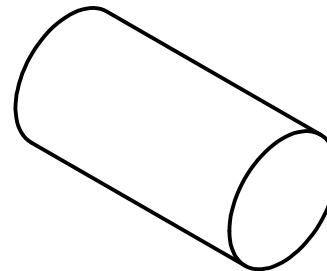
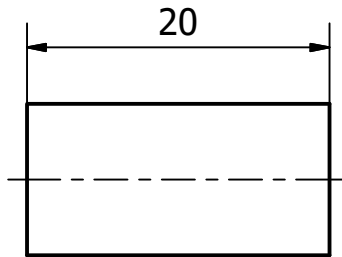
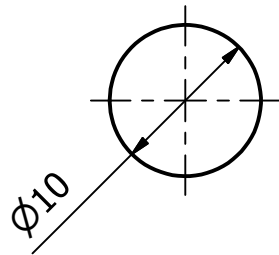


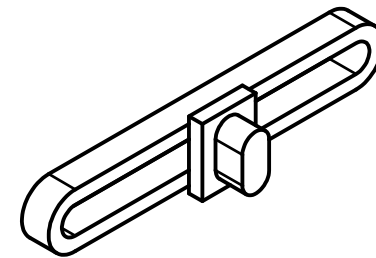
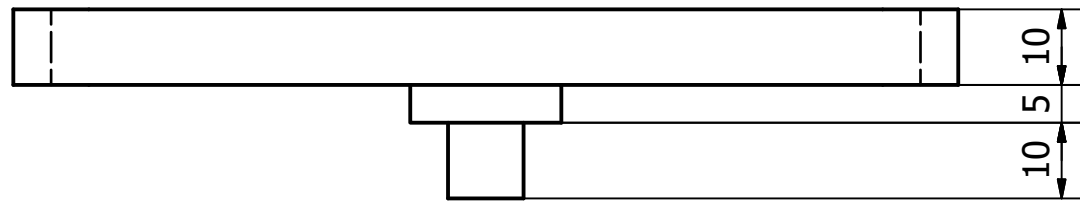
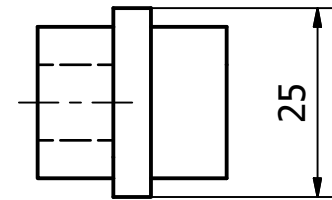
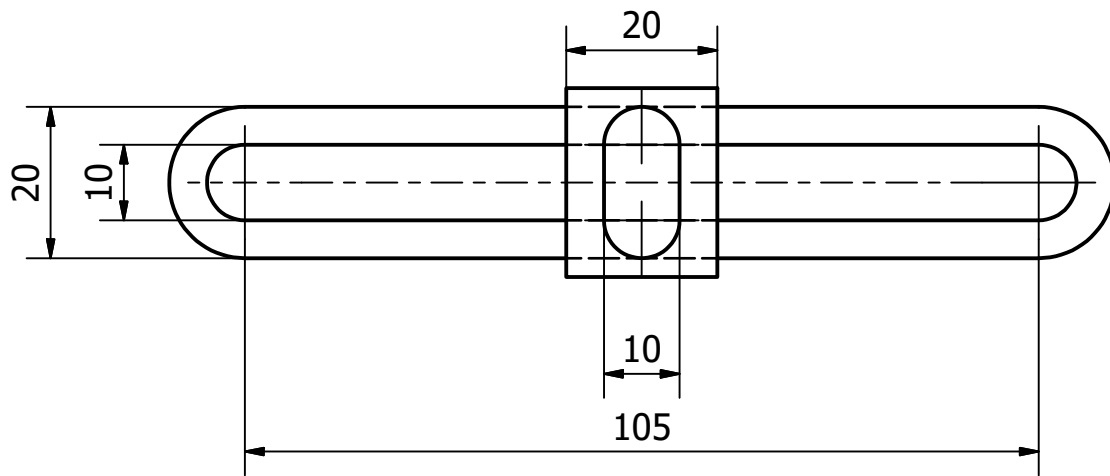
| | | | | | |
|-----------------------|------------|-------------|---------------------|--------------------|----------------|
| Designed by henrik | Checked by | Approved by | Date | Date 27-08-2015 | |
| | | | | | |
| | | | samlet konstruktion | Edition | Sheet 1 / 8 |



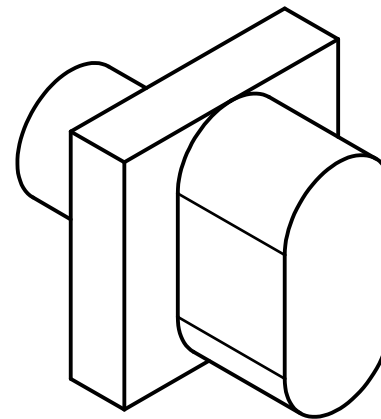
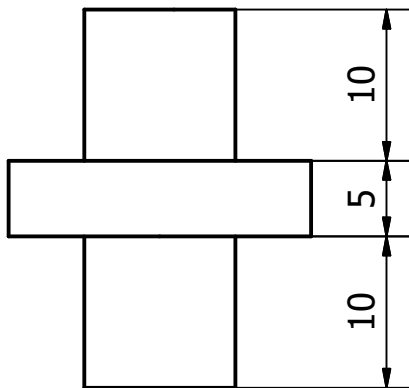
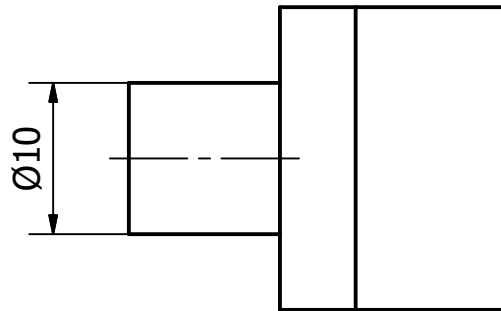
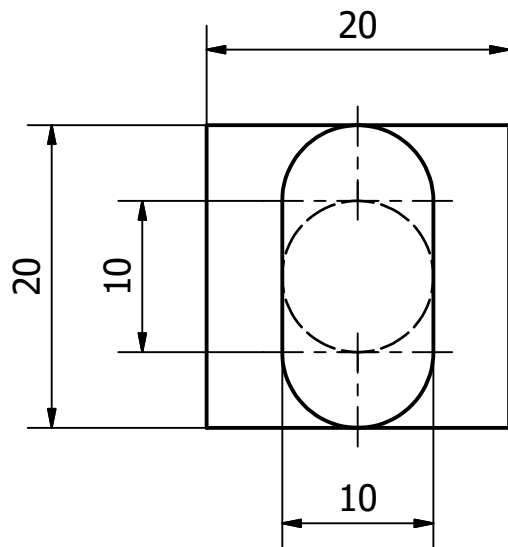
| | | | | | |
|-----------------------|------------|-------------|---------------------|--------------------|---------------------------|
| Designed by henrik | Checked by | Approved by | Date | Date 27-08-2015 | |
| | | | | | |
| | | | samlet konstruktion | | Edition Sheet 2 / 8 |



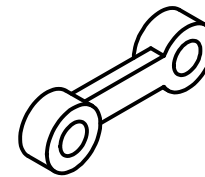
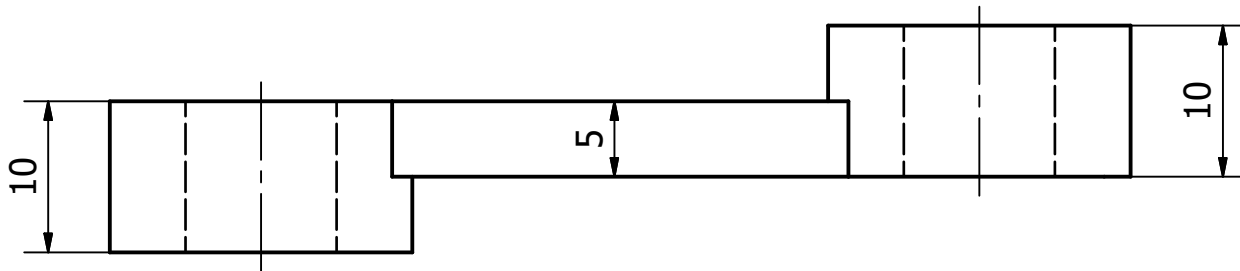
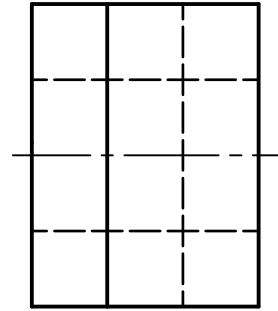
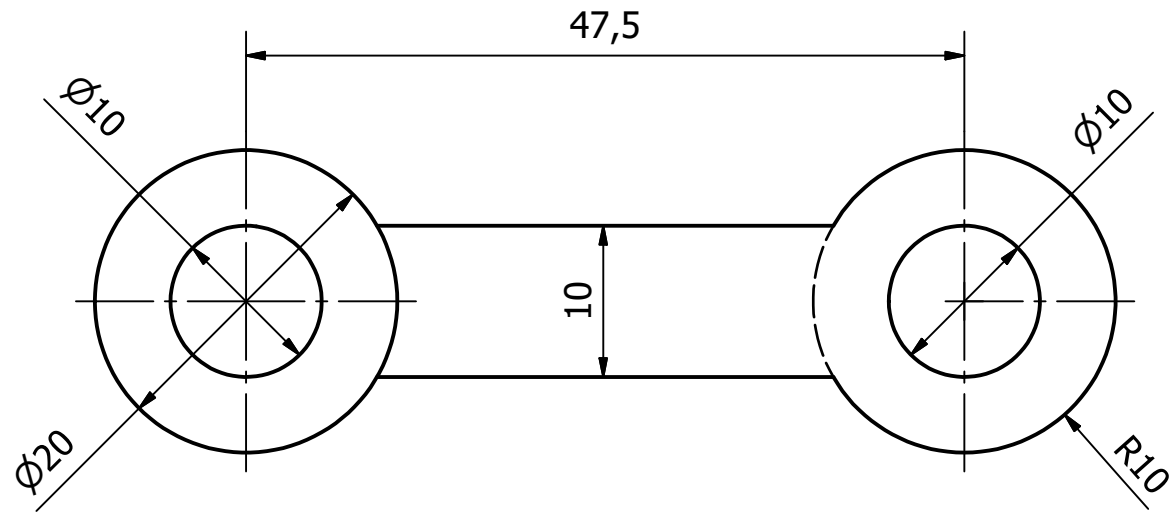
| | | | | | |
|-----------------------|------------|-------------|---------------------|--------------------|----------------|
| Designed by henrik | Checked by | Approved by | Date | Date 27-08-2015 | |
| | | | | | |
| | | | samlet konstruktion | Edition | Sheet 3 / 8 |



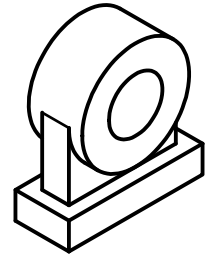
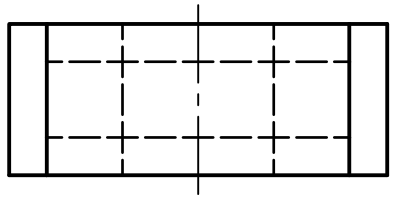
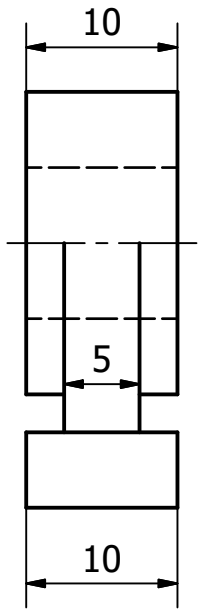
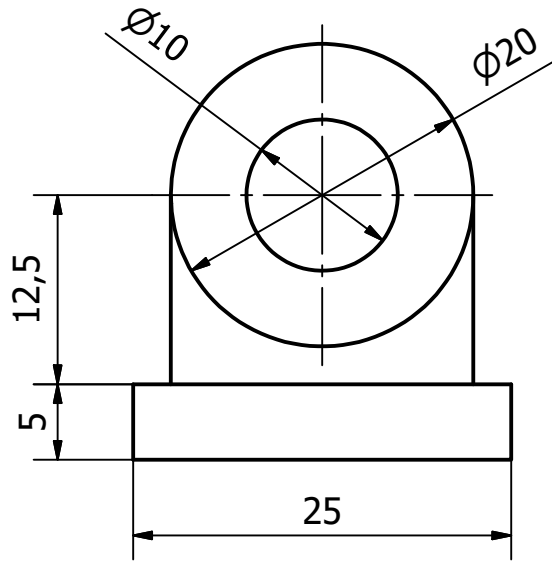
| | | | | | |
|-----------------------|------------|-------------|---------------------|--------------------|----------------|
| Designed by henrik | Checked by | Approved by | Date | Date 27-08-2015 | |
| | | | | | |
| | | | samlet konstruktion | Edition | Sheet 4 / 8 |



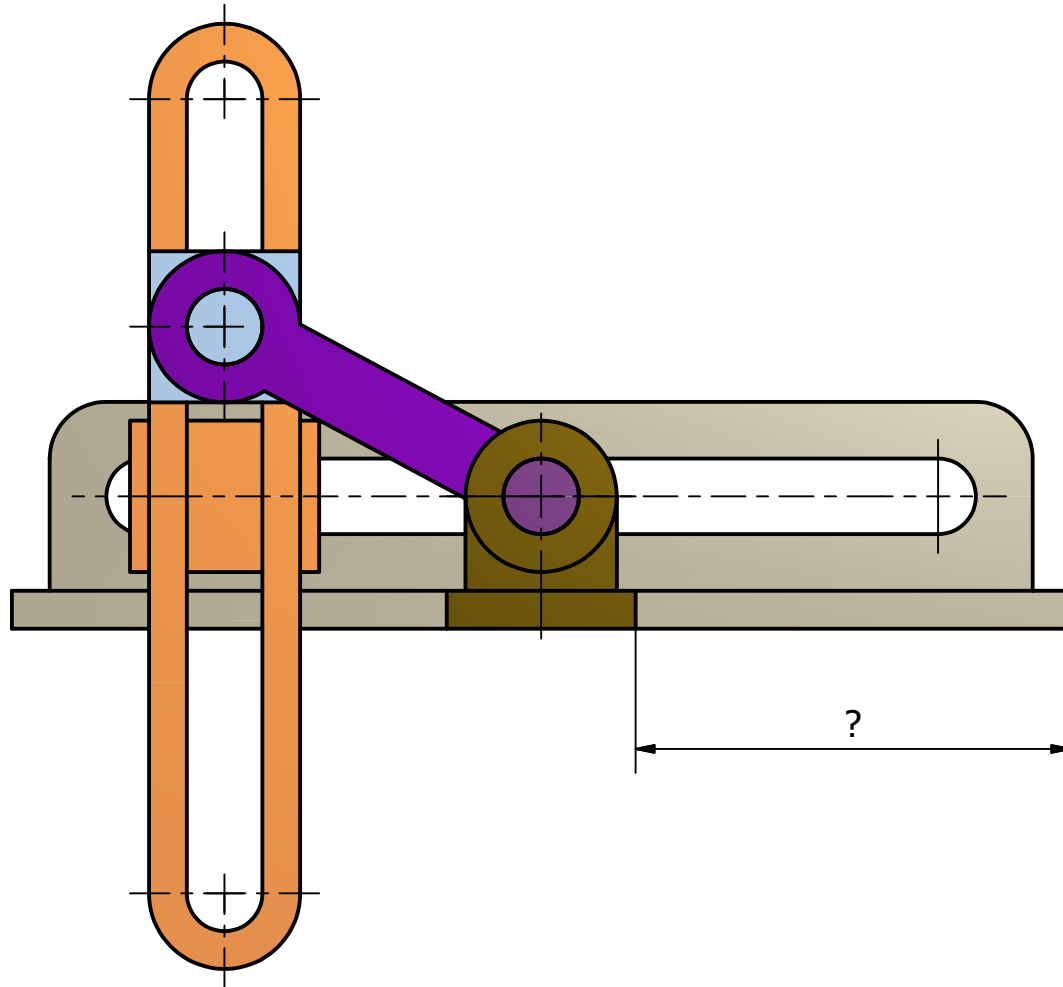
| | | | | | |
|-----------------------|------------|-------------|---------------------|--------------------|----------------|
| Designed by henrik | Checked by | Approved by | Date | Date 27-08-2015 | |
| | | | | | |
| | | | samlet konstruktion | Edition | Sheet 5 / 8 |



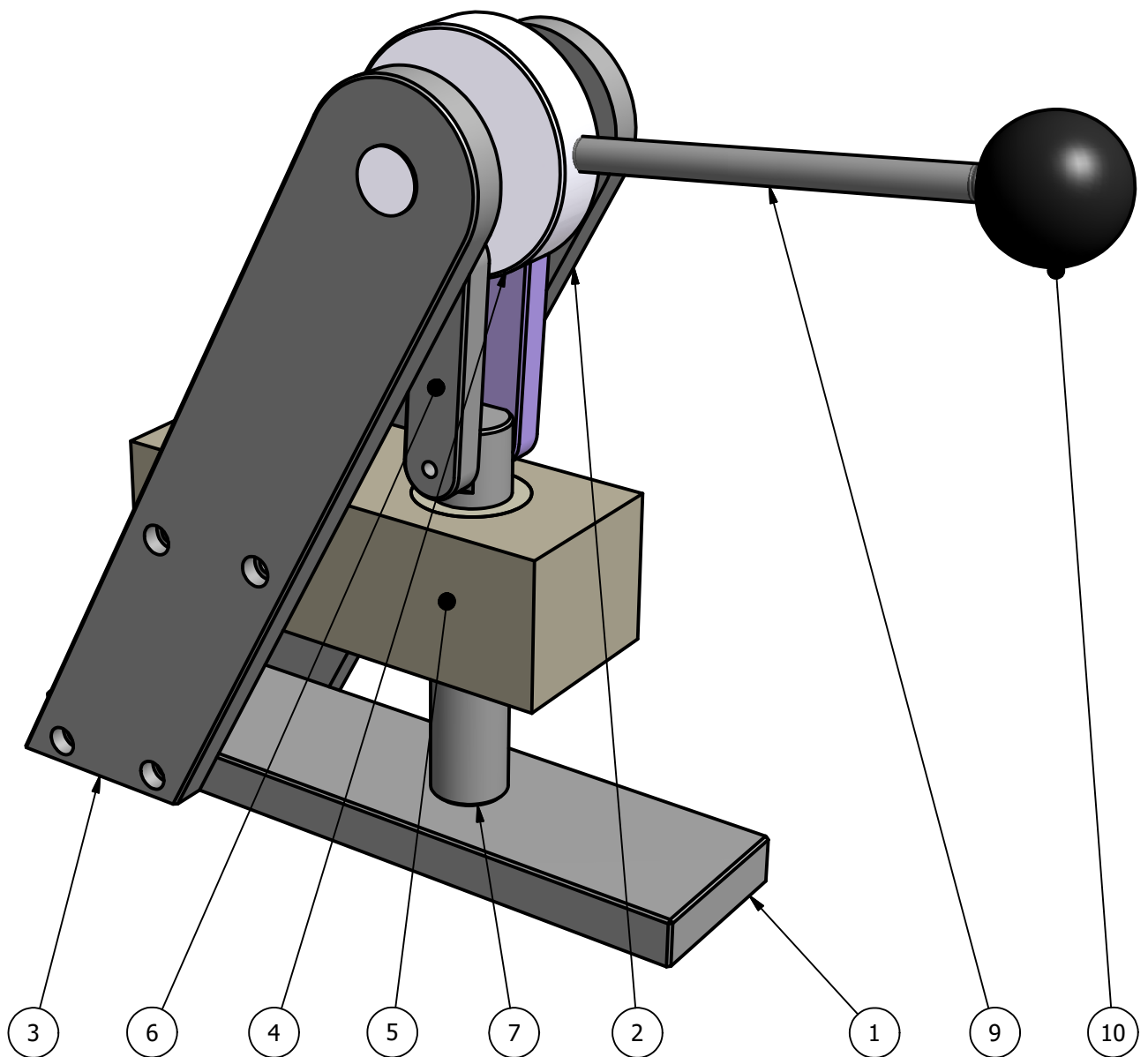
| | | | | | |
|-----------------------|------------|-------------|---------------------|--------------------|----------------|
| Designed by henrik | Checked by | Approved by | Date | Date 27-08-2015 | |
| | | | | | |
| | | | samlet konstruktion | Edition | Sheet 6 / 8 |



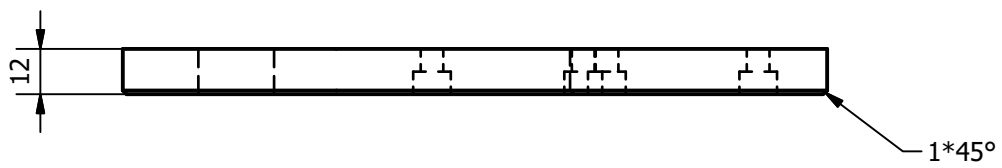
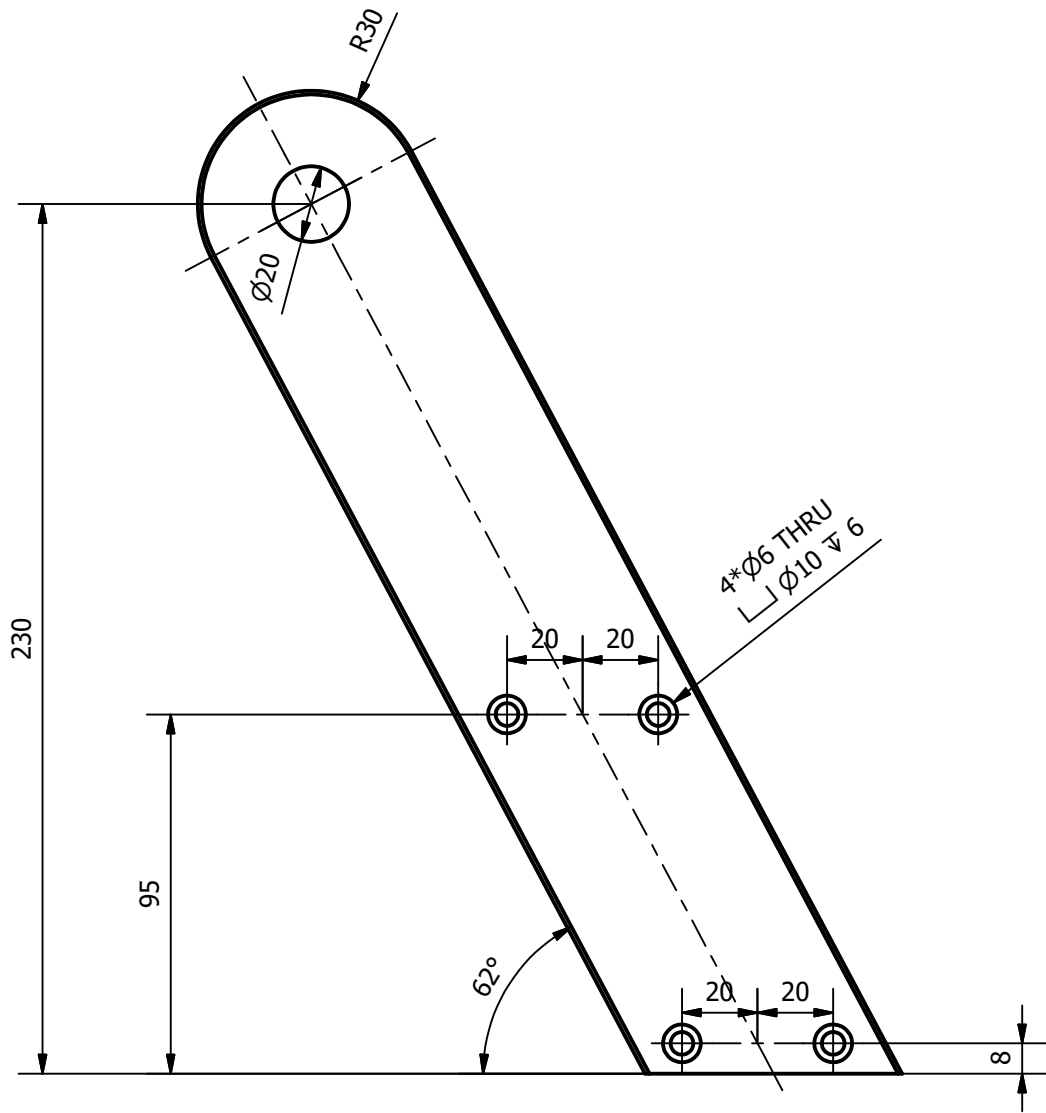
| | | | | | |
|-----------------------|------------|-------------|---------------------|--------------------|----------------|
| Designed by henrik | Checked by | Approved by | Date | Date 27-08-2015 | |
| | | | | | |
| | | | samlet konstruktion | Edition | Sheet 7 / 8 |



| | | | | | |
|-----------------------|------------|-------------|---------------------|--------------------|----------------|
| Designed by henrik | Checked by | Approved by | Date | Date 27-08-2015 | |
| | | | | | |
| | | | samlet konstruktion | Edition | Sheet 8 / 8 |

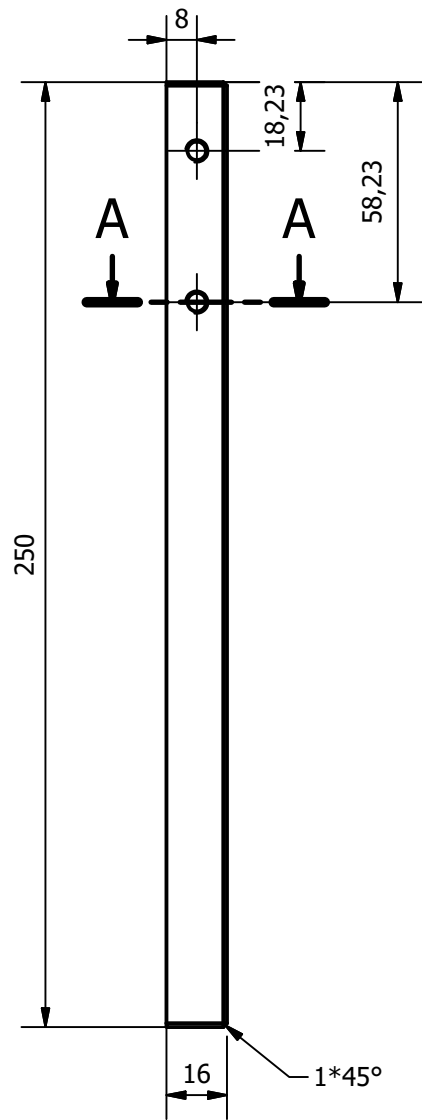


| PARTS LIST | | | |
|--------------------|------------|------------------|--------------------------|
| ITEM | QTY | PART NUMBER | DESCRIPTION |
| 1 | 1 | bund | |
| 2 | 1 | flangehøjre | Spejlvendt flangevenstre |
| 3 | 1 | flangevenstre | Spejlvendt flangehøjre |
| 4 | 1 | hjul | |
| 5 | 1 | styreklods101 | |
| 6 | 2 | knæled | |
| 7 | 1 | stempel | |
| 8 | 1 | bøsning102 | |
| 9 | 1 | stempelstang | |
| 10 | 1 | kugle | |
| Designed by hed | Checked by | Approved by | Date 07-09-2016 |
| | | Tegninger-knæled | |
| | | Edition | Sheet 1 / 10 |

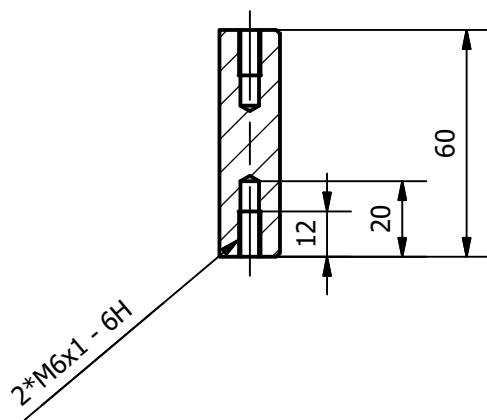


Foruden denne part skal der være en spejlvendt kopi

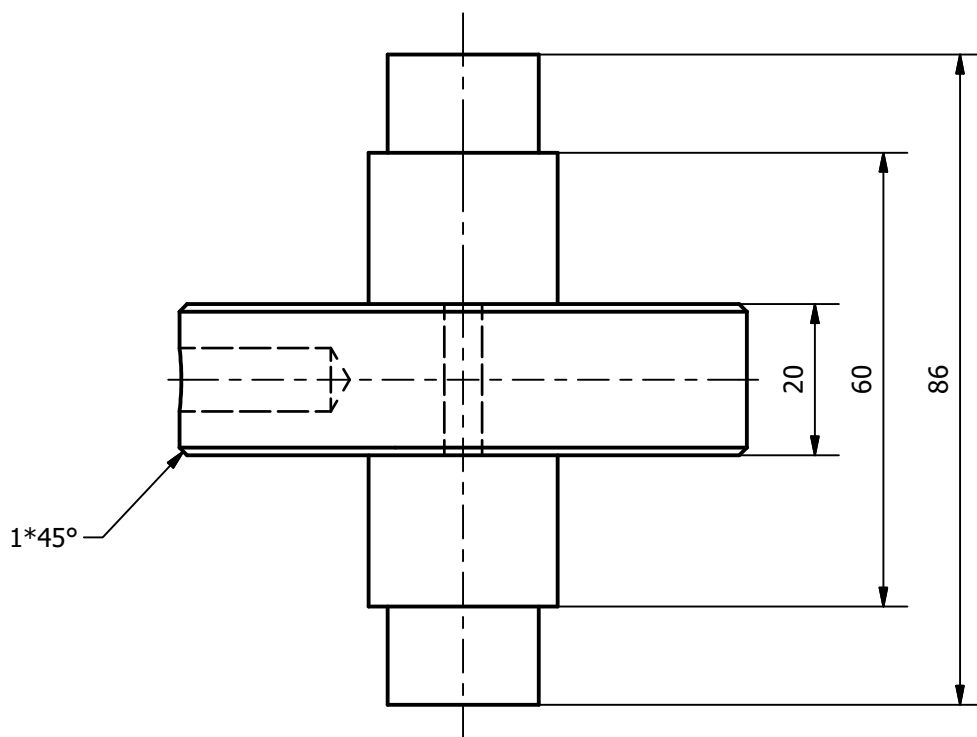
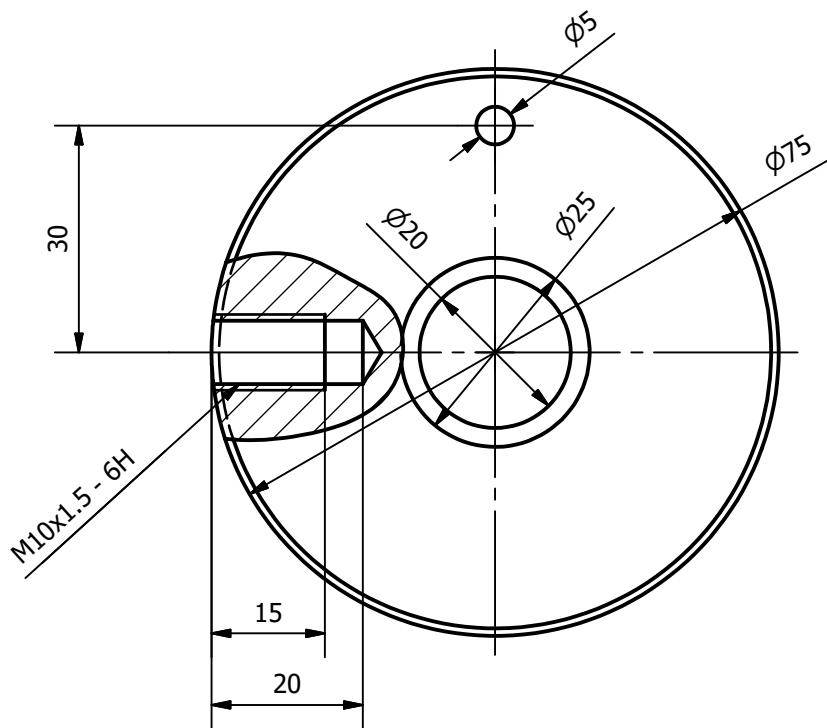
| | | | | | |
|--------------------|------------|-------------|------------------|--------------------|-----------------|
| Designed by hed | Checked by | Approved by | Date | Date 07-09-2016 | |
| | | | Tegninger-knæled | | Edition |
| | | | | | Sheet 2 / 10 |



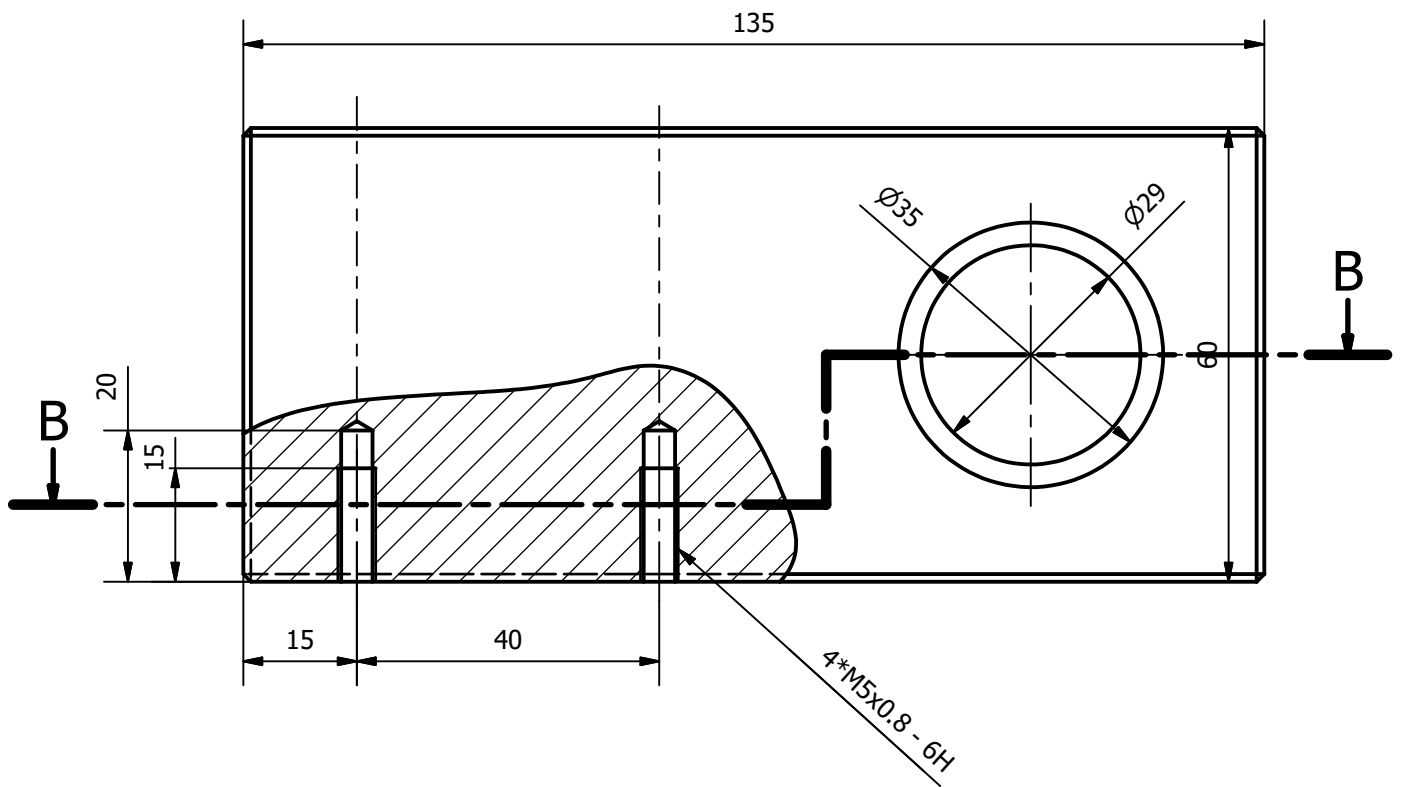
A-A (1 : 2)



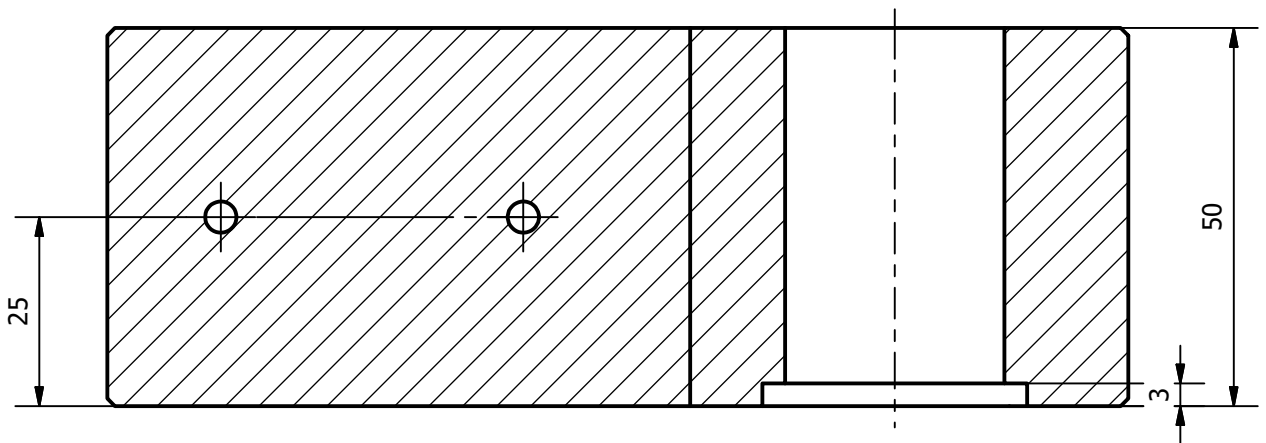
| | | | | | |
|--------------------|------------|-------------|------------------|--------------------|-----------------|
| Designed by hed | Checked by | Approved by | Date | Date 07-09-2016 | |
| | | | Tegninger-knæled | | Edition |
| | | | | | Sheet 3 / 10 |



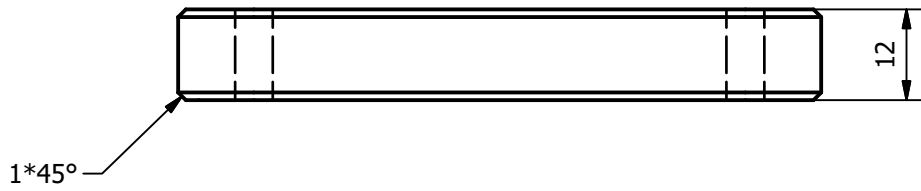
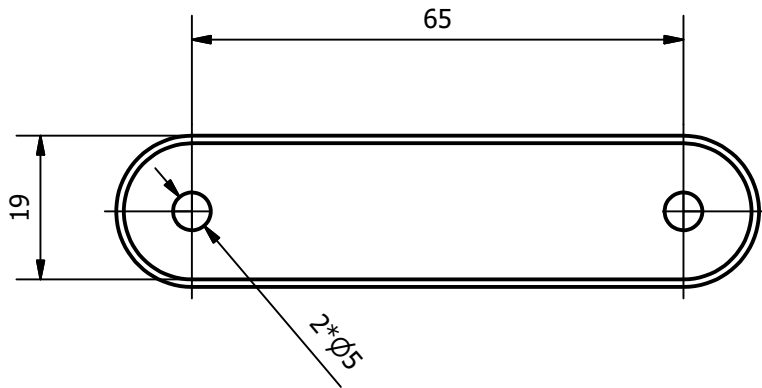
| | | | | | |
|--------------------|------------|-------------|------------------|--------------------|-----------------|
| Designed by hed | Checked by | Approved by | Date | Date 07-09-2016 | |
| | | | Tegninger-knæled | | Edition |
| | | | | | Sheet 4 / 10 |



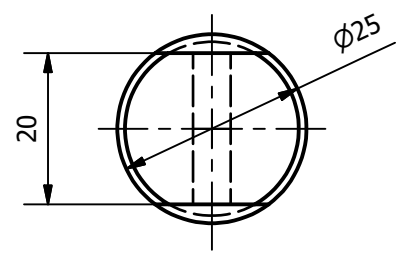
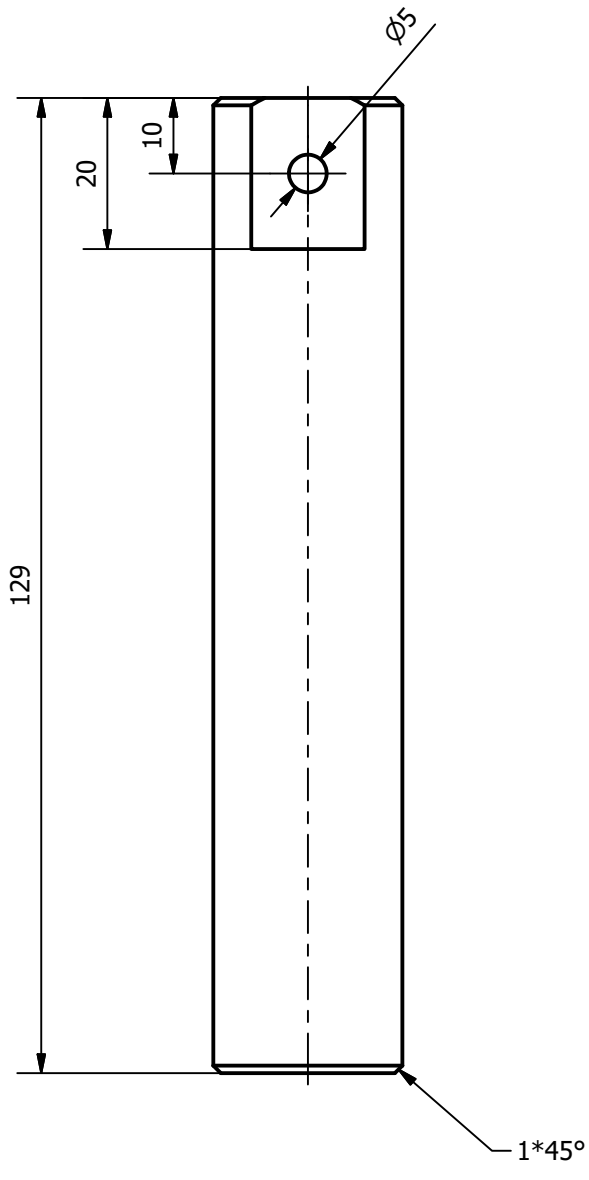
B-B (1)



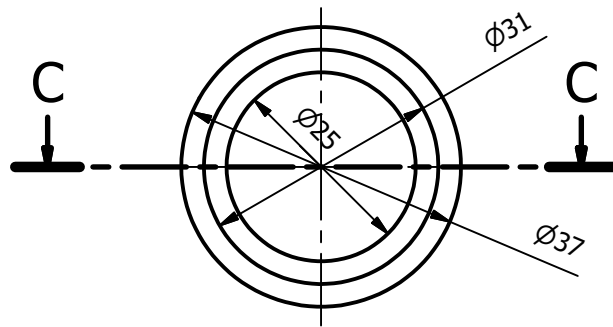
| | | | | | |
|--------------------|------------|-------------|------------------|--------------------|-----------------|
| Designed by hed | Checked by | Approved by | Date | Date 07-09-2016 | |
| | | | Tegninger-knæled | | Edition |
| | | | | | Sheet 5 / 10 |



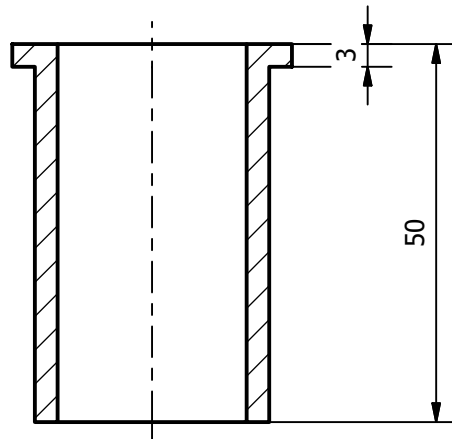
| | | | | | |
|--------------------|------------|-------------|------------------|--------------------|--|
| Designed by hed | Checked by | Approved by | Date | Date 07-09-2016 | |
| | | | Tegninger-knæled | | |
| | | | Edition | Sheet 6 / 10 | |



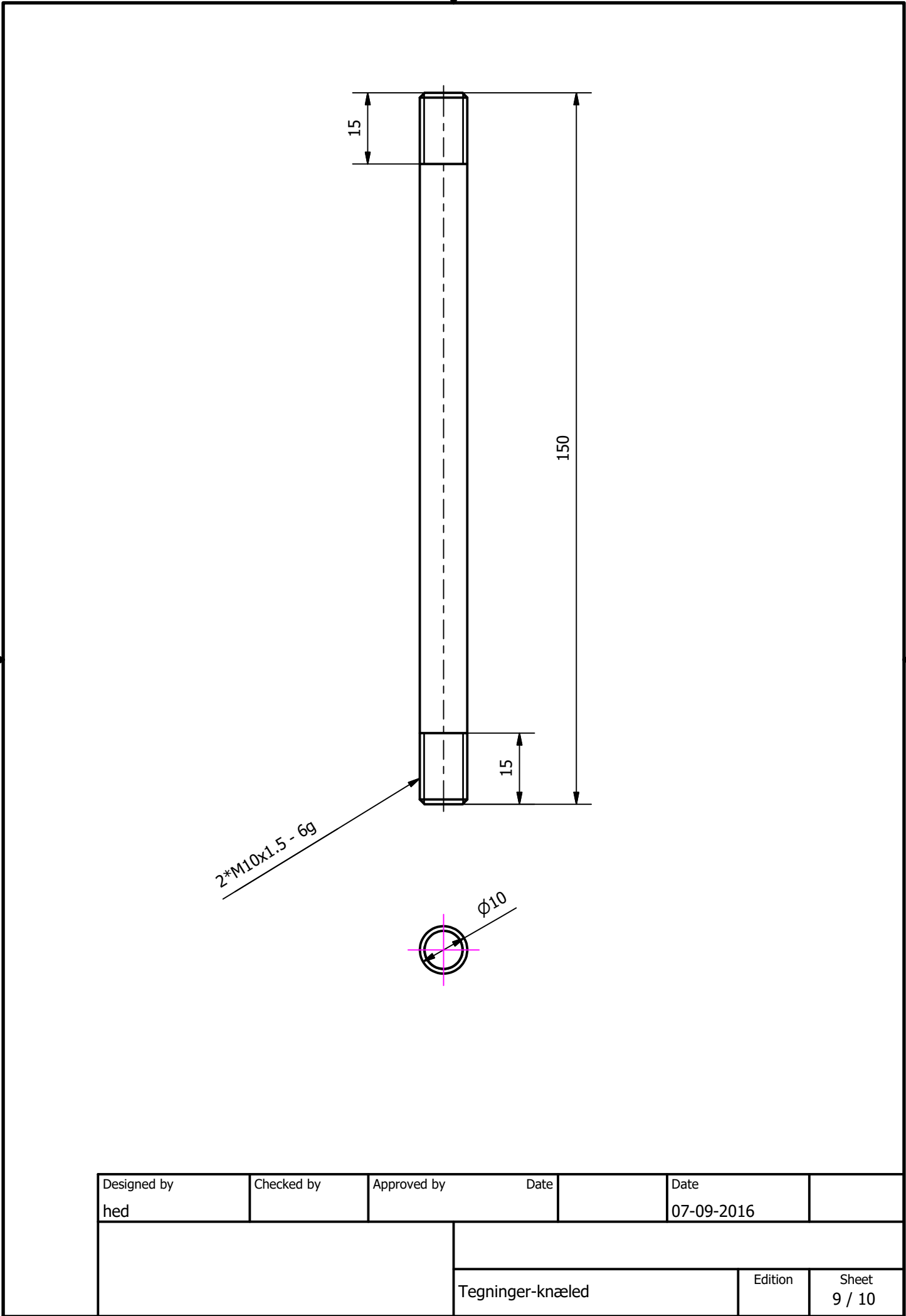
| | | | | | |
|--------------------|------------|-------------|------------------|--------------------|--|
| Designed by hed | Checked by | Approved by | Date | Date 07-09-2016 | |
| | | | Tegninger-knæled | | |
| | | | Edition | Sheet 7 / 10 | |



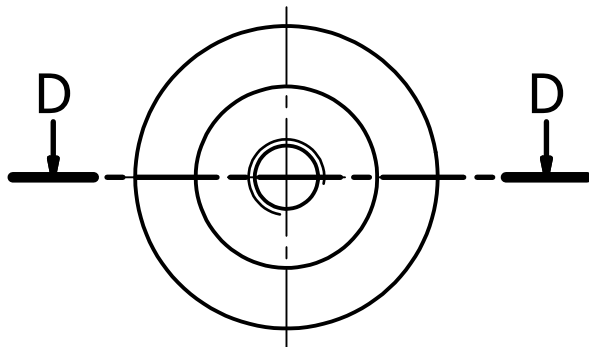
C-C (1)



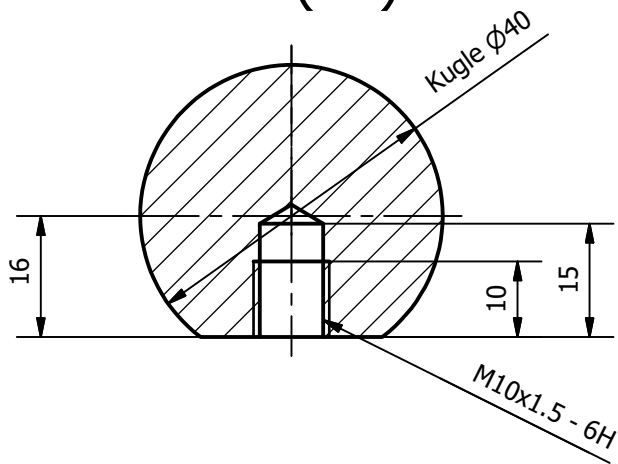
| | | | | | |
|--------------------|------------|-------------|------------------|--------------------|--|
| Designed by hed | Checked by | Approved by | Date | Date 07-09-2016 | |
| | | | Tegninger-knæled | | |
| | | | Edition | Sheet 8 / 10 | |



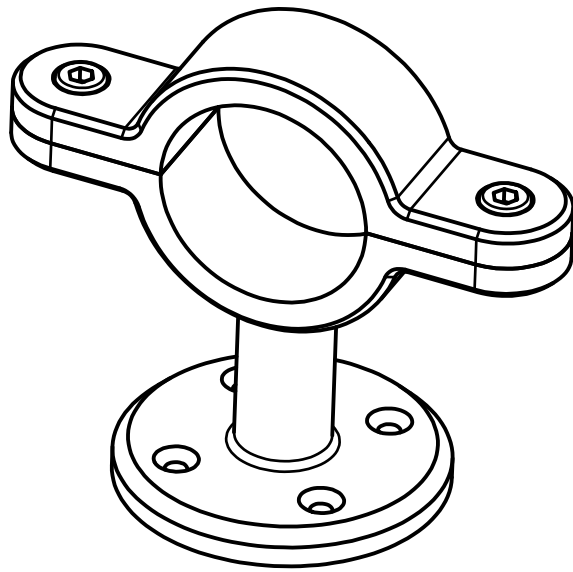
| | | | | | |
|--------------------|------------|-------------|------------------|--------------------|--|
| Designed by hed | Checked by | Approved by | Date | Date 07-09-2016 | |
| | | | Tegninger-knæled | | |
| | | | Edition | Sheet 9 / 10 | |



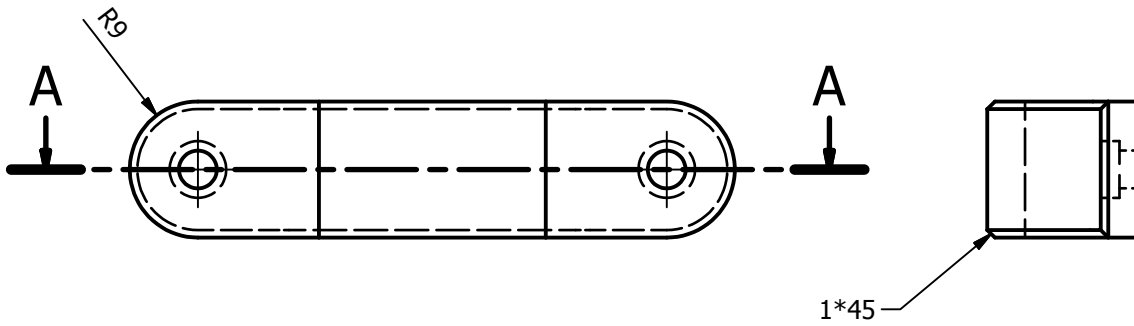
D-D (1)



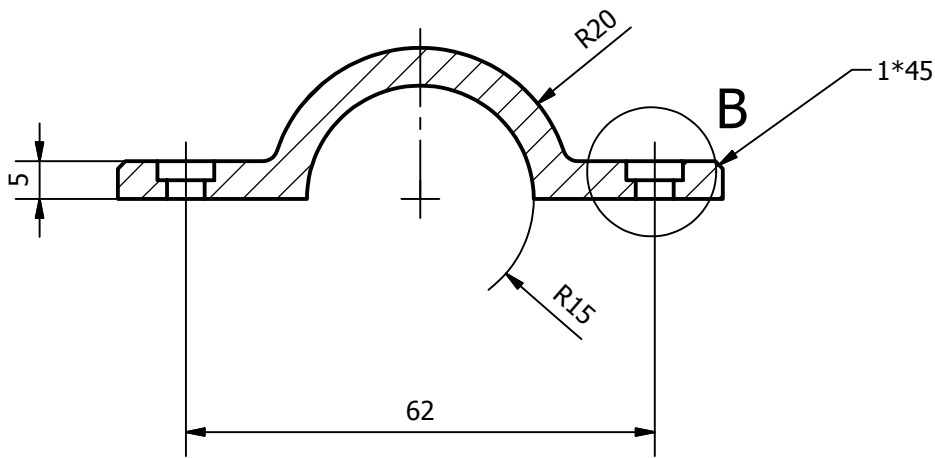
| | | | | | |
|--------------------|------------|-------------|------------------|--------------------|------------------|
| Designed by hed | Checked by | Approved by | Date | Date 07-09-2016 | |
| | | | | | |
| | | | Tegninger-knæled | Edition | Sheet 10 / 10 |



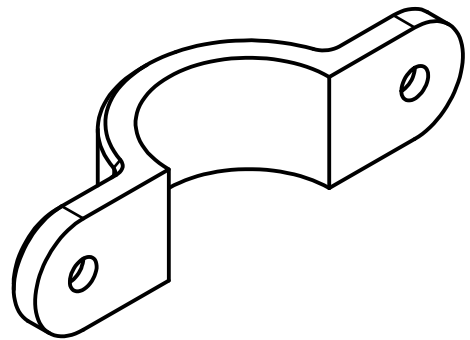
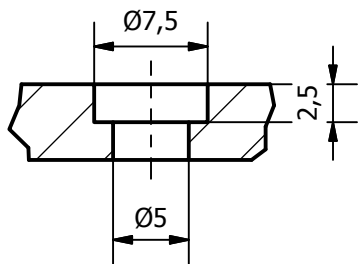
| | | | | | |
|-----------------------|------------|-------------|-----------|--------------------|----------------|
| Designed by henrik | Checked by | Approved by | Date | Date 01-09-2015 | |
| | | | | | |
| | | | rørholder | Edition | Sheet 1 / 4 |



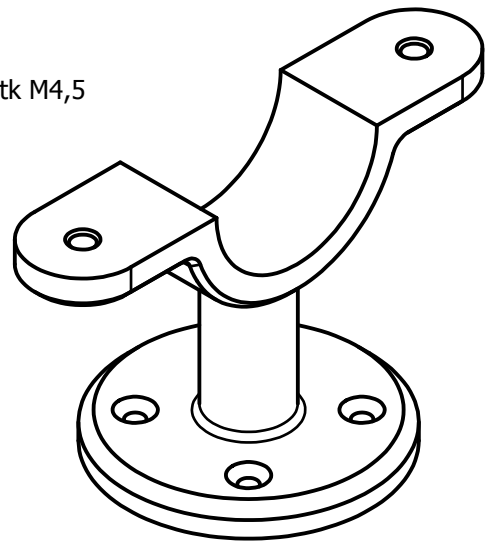
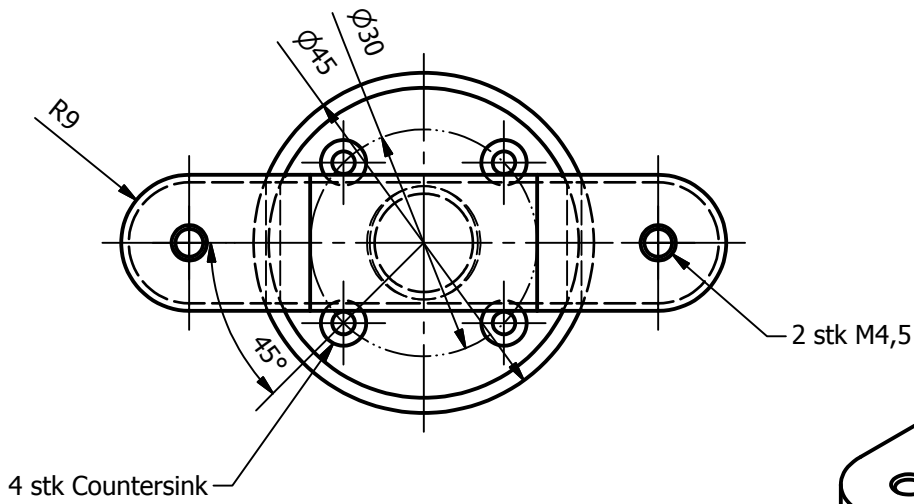
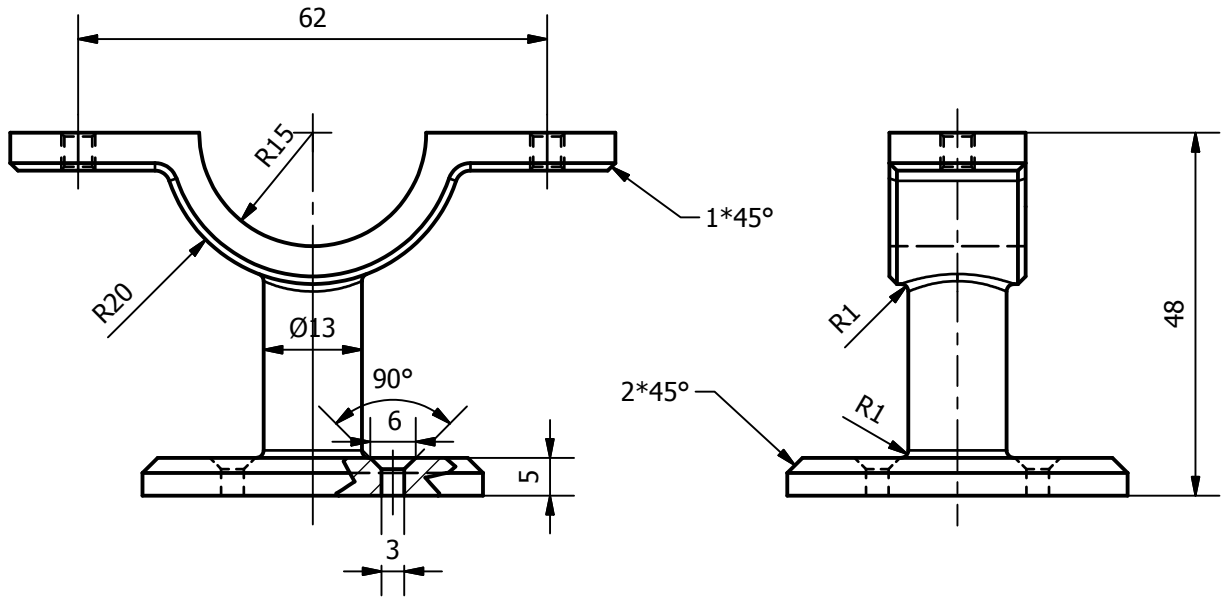
A-A (1 : 1)



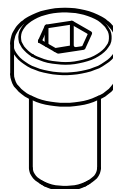
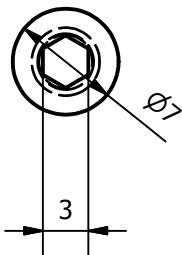
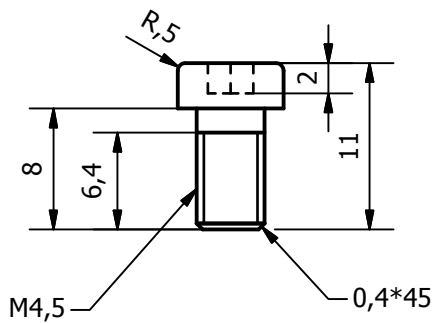
B (2 : 1)



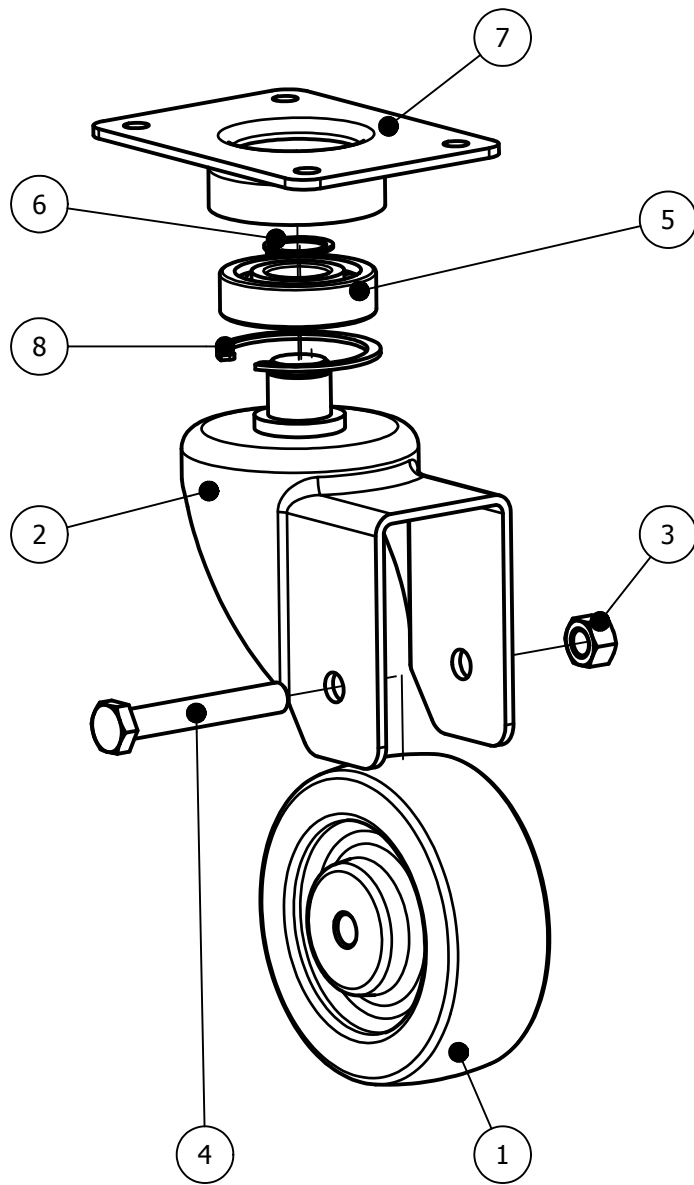
| | | | | |
|-----------------------|------------|-------------|-----------|--------------------|
| Designed by henrik | Checked by | Approved by | Date | Date 01-09-2015 |
| | | | rørholder | Edition |
| | | | | Sheet 2 / 4 |



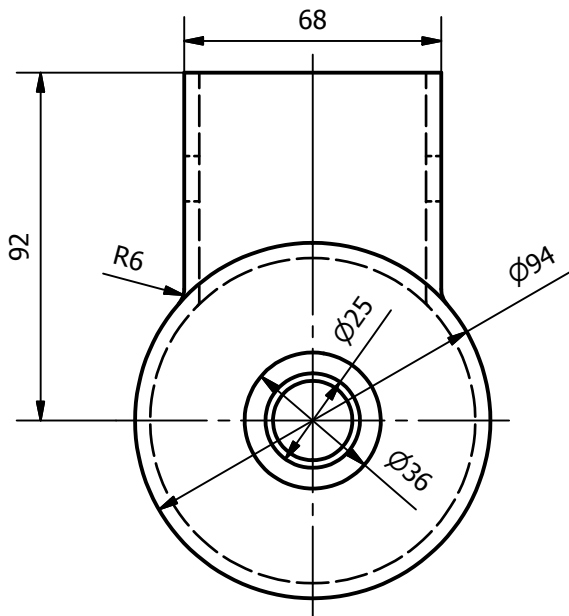
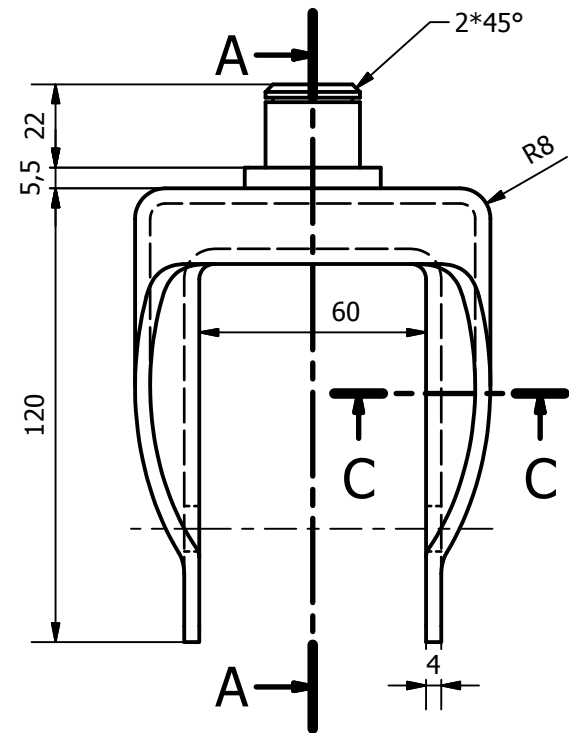
| | | | | |
|-----------------------|------------|-------------|---------|--------------------|
| Designed by henrik | Checked by | Approved by | Date | Date 01-09-2015 |
| rørholder | | | Edition | Sheet 3 / 4 |



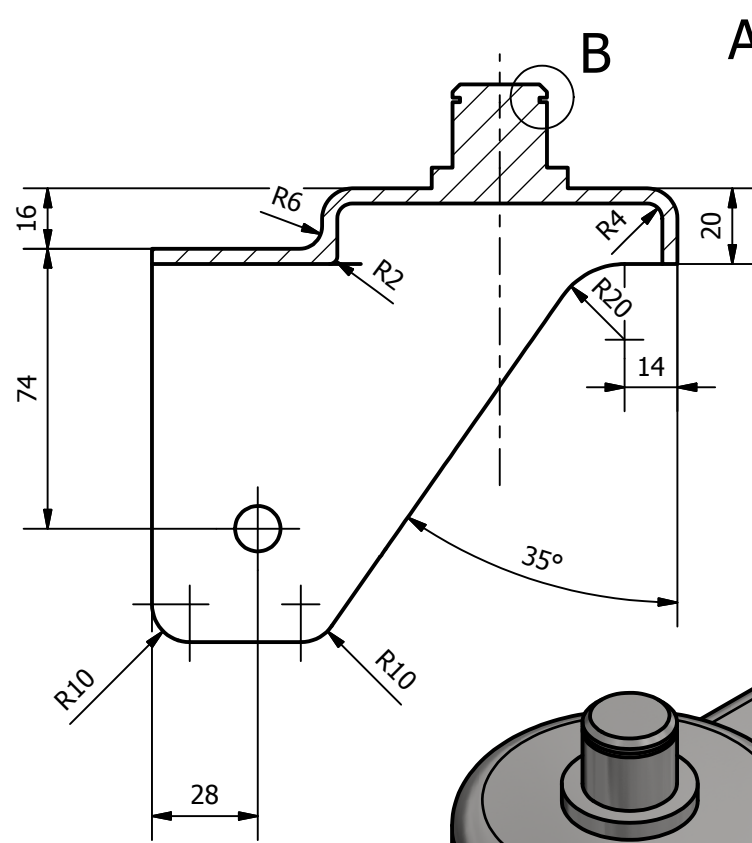
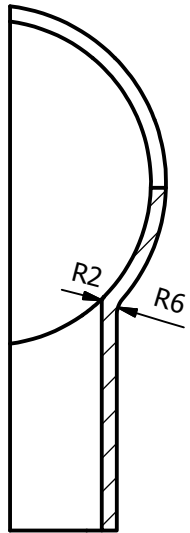
| | | | | |
|-----------------------|------------|-------------|-----------|--------------------|
| Designed by henrik | Checked by | Approved by | Date | Date 01-09-2015 |
| | | | rørholder | |
| | | | Edition | Sheet 4 / 4 |



| PARTS LIST | | | | | |
|-------------|-----|--------------------------------|-----------|---------------------------|-------------|
| ITEM | QTY | PART NUMBER | | DESCRIPTION | |
| 1 | 1 | Møbelhjul_Hjul | | | |
| 2 | 1 | Møbelhjul_hjulholder | | | |
| 3 | 1 | ANSI B 18.2.4.1 M - M12 x 1,75 | | Hex Nut | |
| 4 | 1 | DIN 931-1 - M12 x 80 | | Hex-Head Bolt | |
| 5 | 1 | DIN 625 SKF - SKF 6305 | | Single row ball bearings | |
| 6 | 1 | DIN 471 - 24x1,2 | | Retaining rings for shaft | |
| 7 | 1 | Møbehjul_flange | | | |
| 8 | 1 | DIN 472 - 62 x 2 | | Spring Retaining Ring | |
| Designed by | | Checked by | | Approved by | Date |
| | | | | | 16-08-2002 |
| | | | | | |
| | | | Møbelhjul | | Sheet 2 / 5 |
| | | | Edition | | |

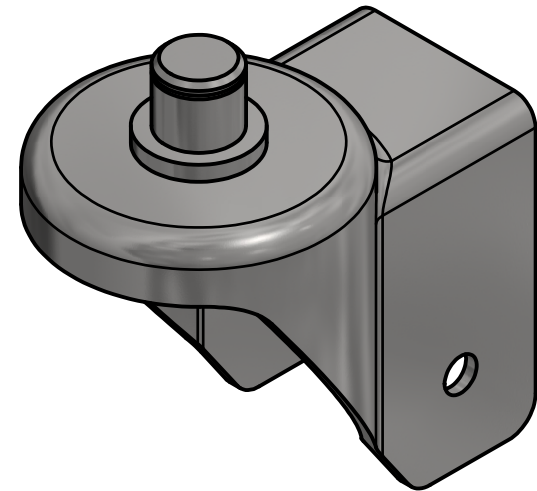
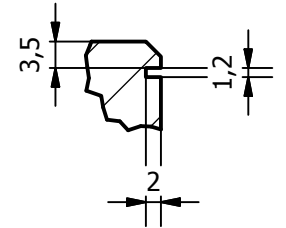


C-C (1:2)

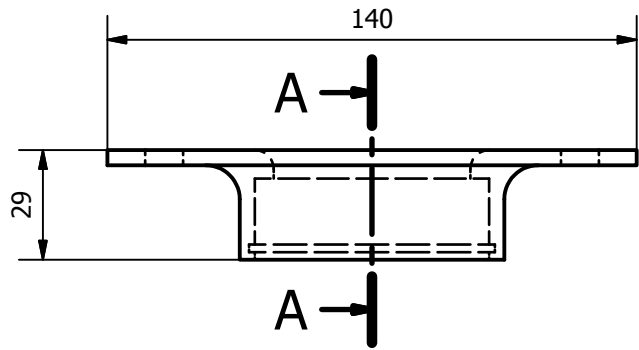


A-A (1:2)

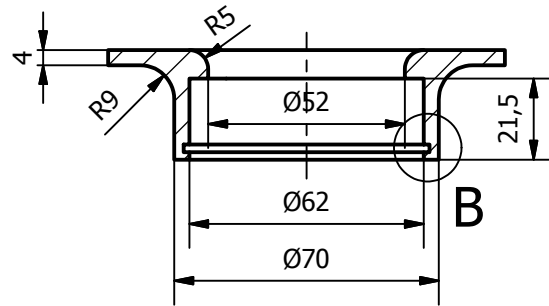
B (1:1)



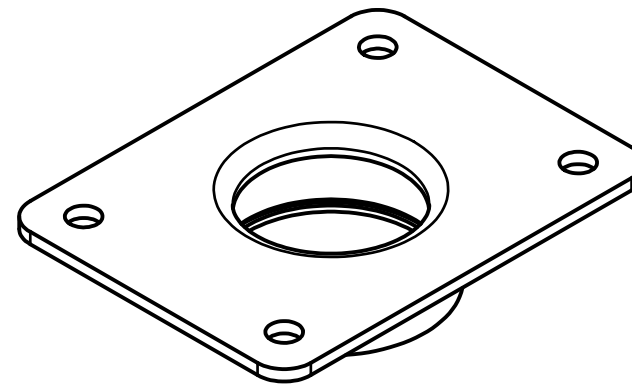
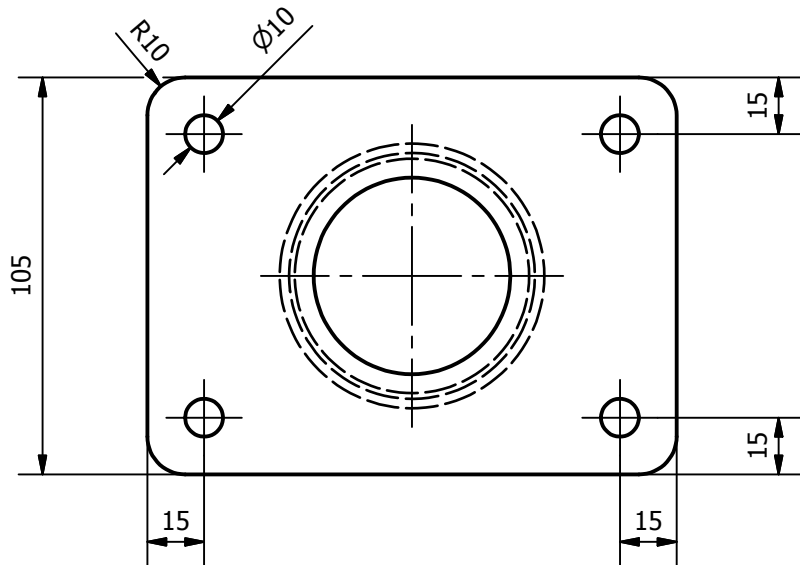
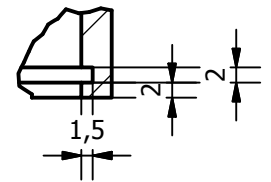
| | | | | | |
|-------------|------------|-------------|---------|------------|--|
| Designed by | Checked by | Approved by | Date | Date | |
| | | | | 16-08-2002 | |
| | | | | | |
| Møbelhjul | | | Edition | Sheet | |
| | | | | 3 / 5 | |



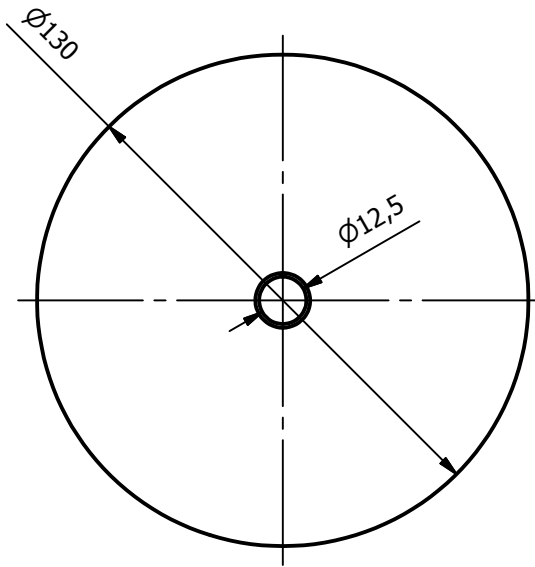
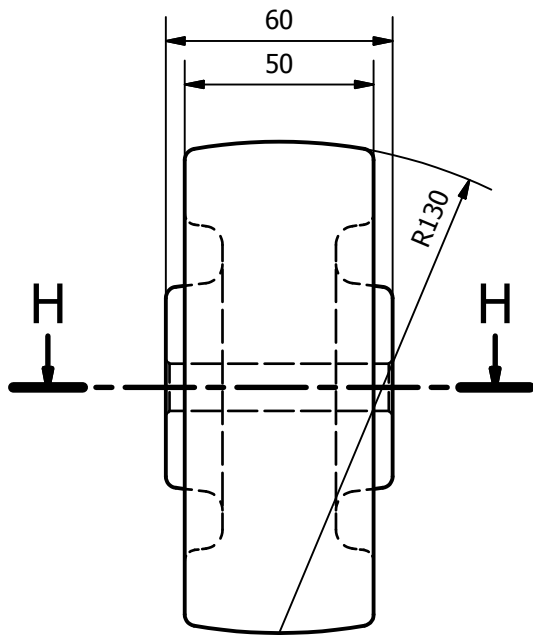
A-A (1 : 2)



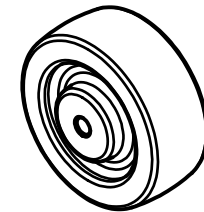
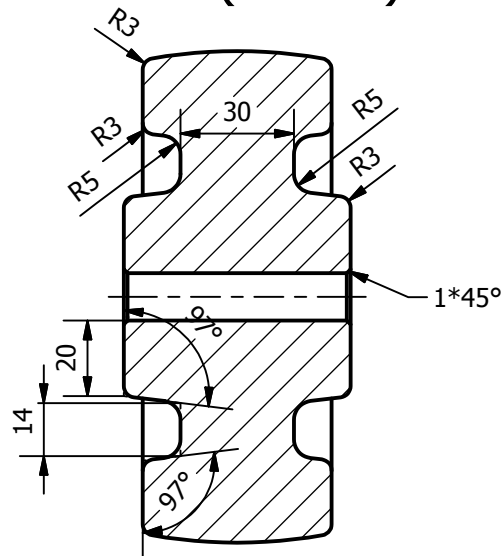
B (1 : 1)



| | | | | | |
|-------------|------------|-------------|-----------|------------|----------------|
| Designed by | Checked by | Approved by | Date | Date | |
| | | | | 16-08-2002 | |
| | | | | | |
| | | | Møbelhjul | Edition | Sheet 4 / 5 |



H-H (1:2)



| | | | | | |
|-------------|------------|-------------|---------|------------|--|
| Designed by | Checked by | Approved by | Date | Date | |
| | | | | 16-08-2002 | |
| | | | | | |
| Møbelhjul | | | Edition | Sheet | |
| | | | | 5 / 5 | |